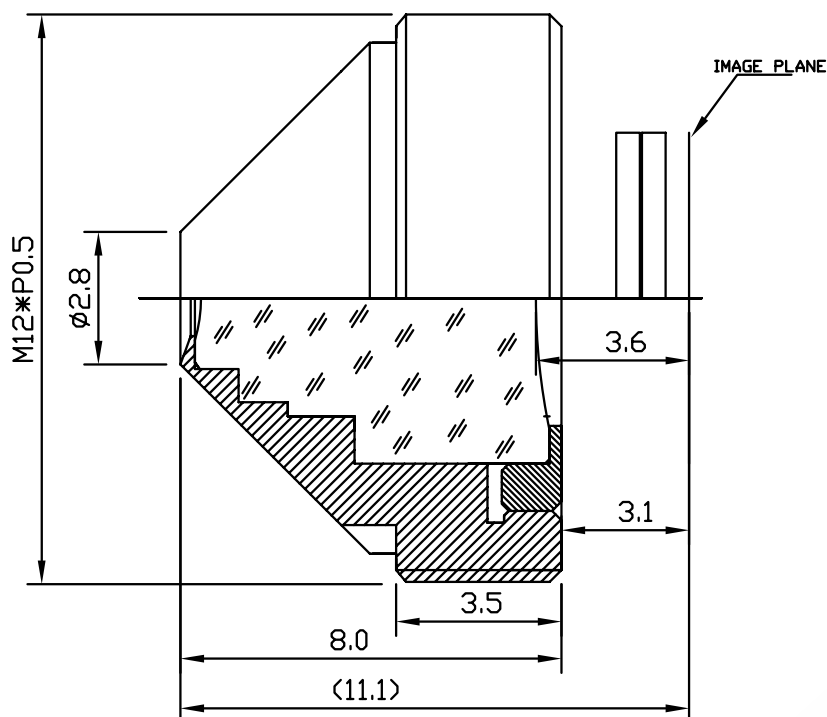


Lensagon BP2824S13



The S-Mount lens Lensagon BP2824S13 is suitable for sensors below 1 megapixel with an image format of 1/3 inch.

Technical Data

Mount	S-Mount
Sensor	1/3 inch
Focal Length	2.8 mm
Aperture	2.4
MOD	0.3 m
Back Focal	3.6 mm
Angle of View	D:125° H:82° V:56°
IR Cut Filter	No
Weight	1.5 g
Iris	fixed
Focus	fixed
Typ	Pinhole

