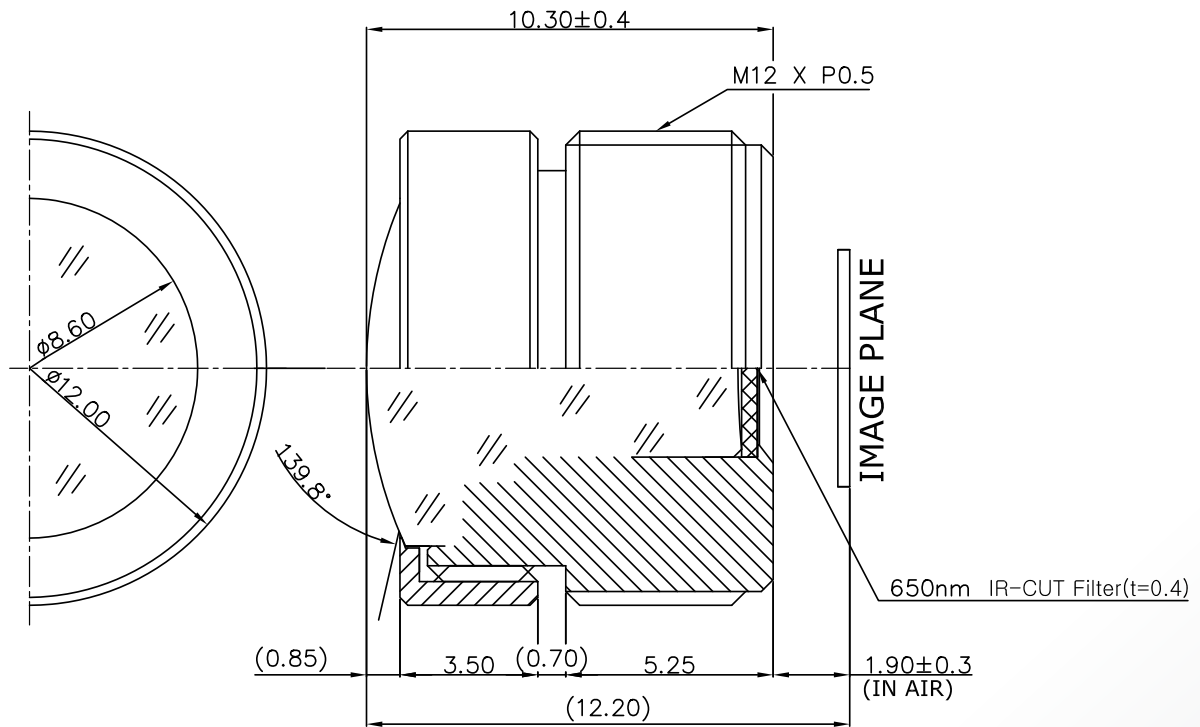


Lensagon BMK2320C



The S-Mount lens Lensagon BMK2320C is suitable for common sensors up to 1.3 megapixel with an image format of 1/3 inch. It is characterized by a particularly high light intensity. Construction: 6 elements (1ASP glass / 5G)

Technical Data

Mount	S-Mount
Sensor	1/3 inch
Focal Length	2.3 mm
Aperture	2
Back Focal	2.3 mm
Angle of View	D:139.8° H:122.4° V:69.9°
Megapixel	1.3 MP
IR Cut Filter	Yes
Iris	fixed
Focus	fixed
Filter	SLAR coating 550nm
Typ	Standard



Light Sensitive



1 Megapixel

