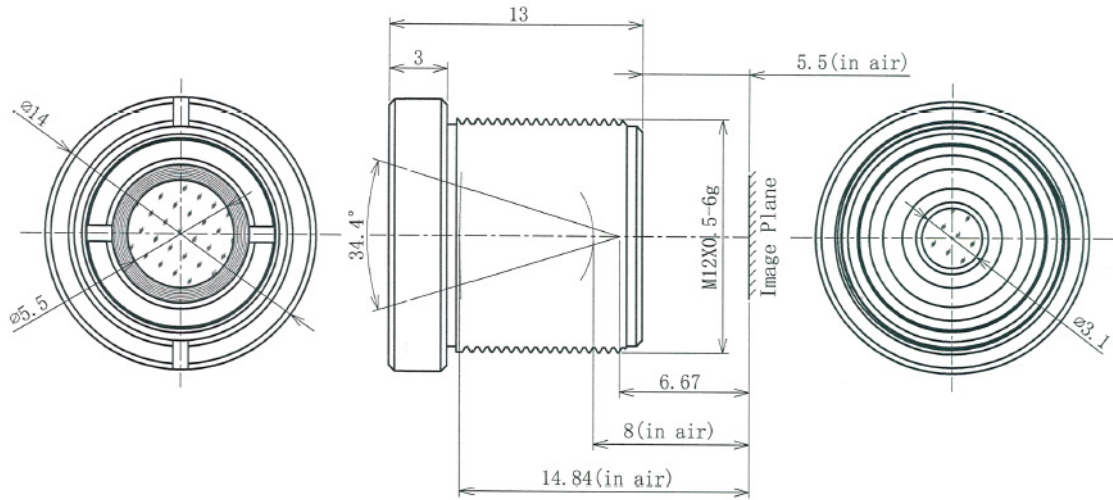


Lensagon BM9040



The S-Mount lens Lensagon BM9040 is suitable for common sensors up to 1 megapixel with an image format of 1/3 inch.

Technical Data

Mount	S-Mount
Sensor	1/3 inch
Focal Length	9 mm
Aperture	4
MOD	0.1 m
Back Focal	8 mm
Angle of View	D:34.4° H:28° V:21°
Megapixel	1-2 MP
IR Cut Filter	No
Iris	fixed
Focus	fixed

1

Megapixel

