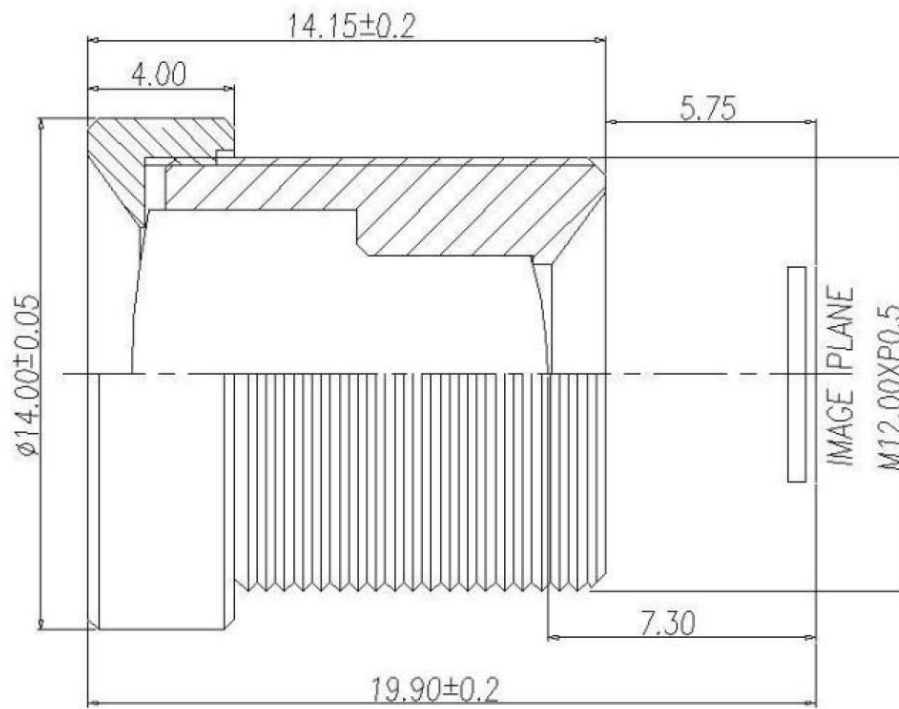


BM8025S13E



The S-Mount lens Lensagon BM8025S13E is suitable for sensors below 1 megapixel with an image format of 1/3 inch.

Technical Data

Mount	S-Mount
Sensor	1/3 inch
Focal Length	8 mm
Aperture	2.5
Back Focal	7.3 mm
Angle of View	D:45° H:° V:°
Typ	Standard

