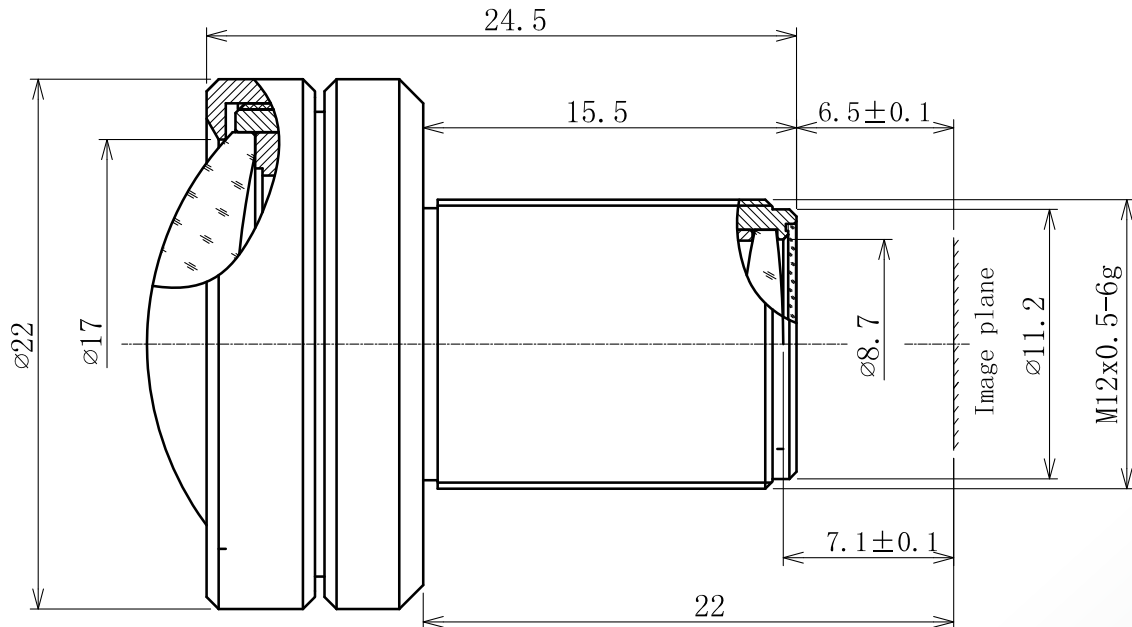


BM8018S118NDV2C



The S-Mount lens Lensagon BM8018S118NDV2C is suitable for common sensors up to 1 megapixel with an image format of 1/1.8 inch. It is characterized by a particularly high light intensity.

Technical Data

Mount	S-Mount
Sensor	1/1.8 - 1/2 inch Sensor
Focal Length	7.8 mm
Aperture	1.8
MOD	0.1 m
Back Focal	7.1 mm
Angle of View	D:57° H:47° V:36°
Megapixel	1-2 MP
IR Cut Filter	Yes
Distortion	-2 %
Weight	16.4 g
Iris	fixed
Focus	fixed



Light Sensitive



1 Megapixel

