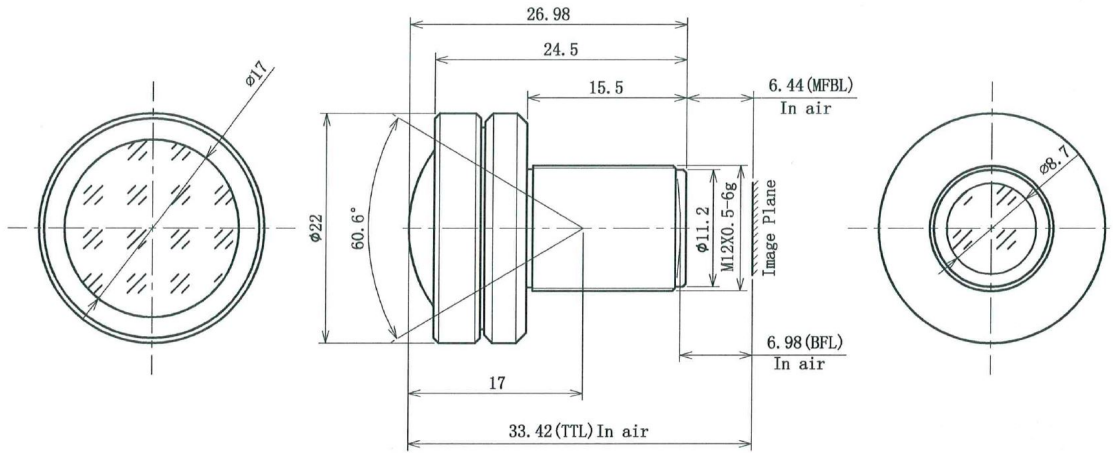


# BM8018S118NDV2



The S-Mount lens Lensagon BM8018S118NDV2 is suitable for common sensors up to 1 megapixel with an image format of 1/1.8 inch. It is characterized by a particularly high light intensity. Chief Ray Angle: 8.8°  
Numerical Aperture: 0.48

## Technical Data

Mount	S-Mount
Sensor	1/1.8 - 1/2 inch Sensor
Focal Length	8 mm
Aperture	1.8
MOD	0.1 m
Back Focal	6.98 mm
Angle of View	D:60.6° H:50.2° V:38.5°
Megapixel	1-2 MP
IR Correction	Yes
Optical Distortion	-2 %
Weight	16.4 g
Iris	fixed
Focus	fixed
Chief ray angle	8.5 °



Light Sensitive



1 Megapixel