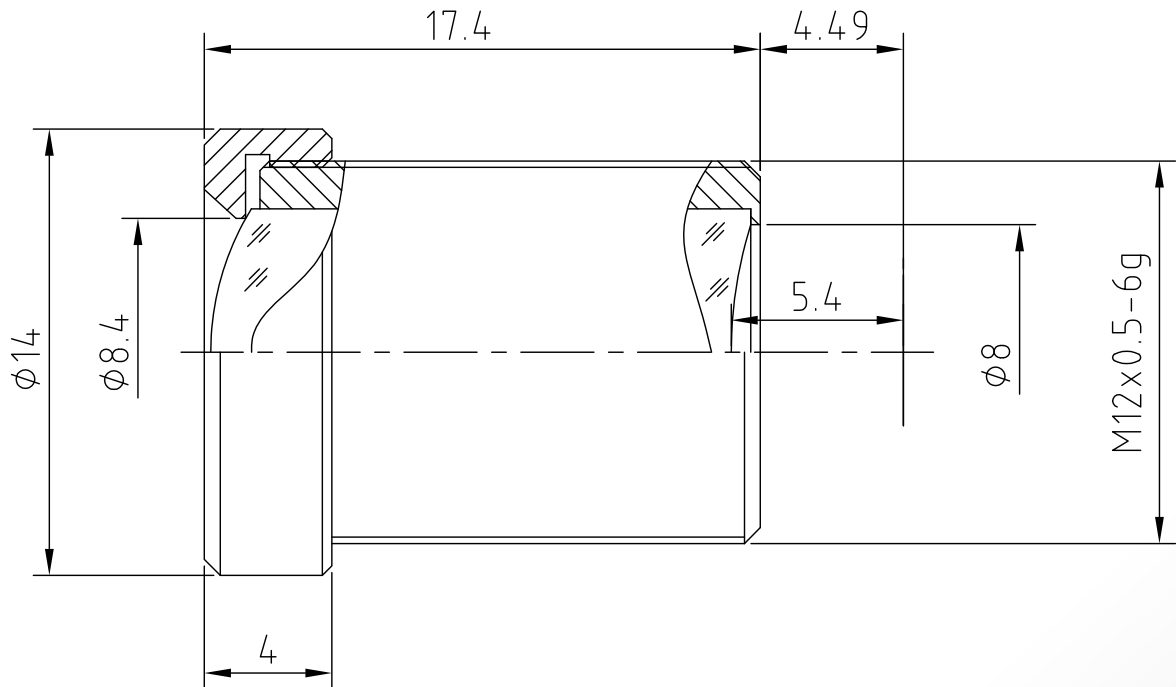


Lensagon BM8018



The S-Mount lens Lensagon BM8018 is suitable for common sensors up to 1 megapixel with an image format of 1/3 inch. It is characterized by a particularly high light intensity.

Technical Data

Mount	S-Mount
Sensor	1/3 inch
Focal Length	8 mm
Aperture	1.8
MOD	0.2 m
Back Focal	5.4 mm
Angle of View	D:45° H:35.5° V:26°
Megapixel	1-2 MP
IR Correction	Yes
Weight	6 g
Iris	fixed
Focus	fixed
Chief ray angle	2.5 °
Typ	Standard



Light Sensitive



1 Megapixel