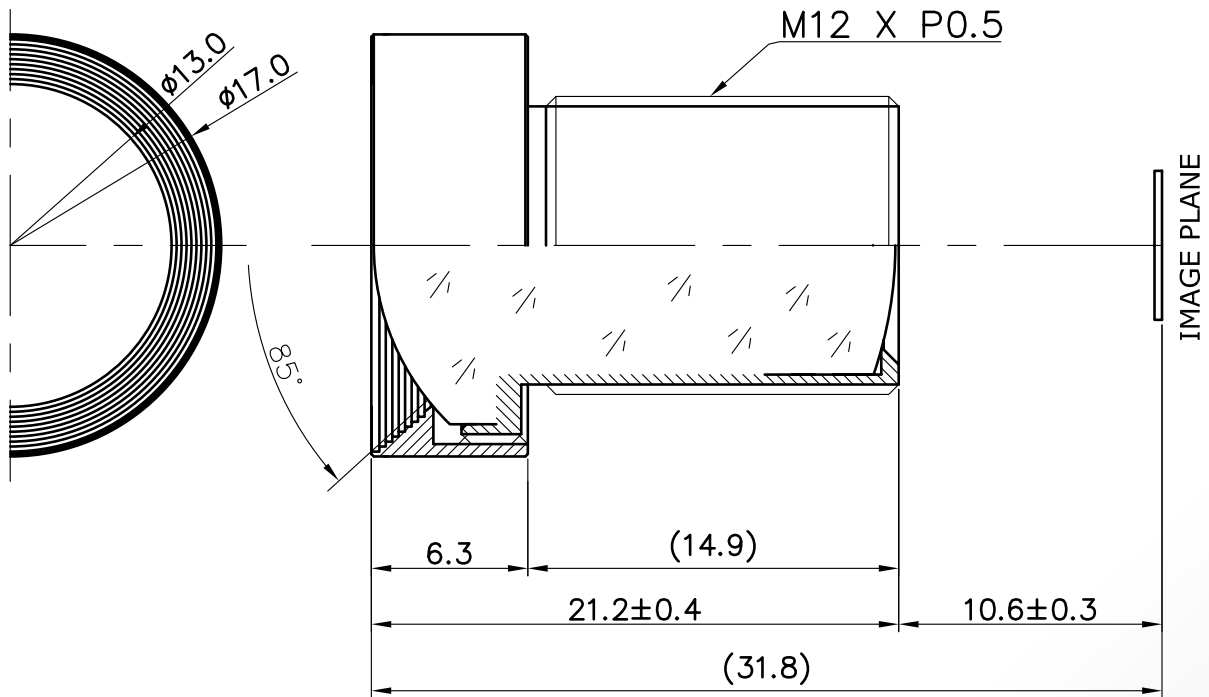


Lensagon BM6020S12



The S-Mount lens Lensagon BM6020S12 is suitable for common sensors up to 1.3 megapixel with an image format of 1/2 inch. It is characterized by a particularly high light intensity.

Technical Data

Mount	S-Mount
Sensor	1/2 inch
Focal Length	6 mm
Aperture	2
Back Focal	10.7 mm
Angle of View	D:85° H:68° V:51°
Megapixel	1.3 MP
IR Cut Filter	No
Weight	7.8 g
Iris	fixed
Focus	fixed
Typ	Standard



Light Sensitive



1 Megapixel

