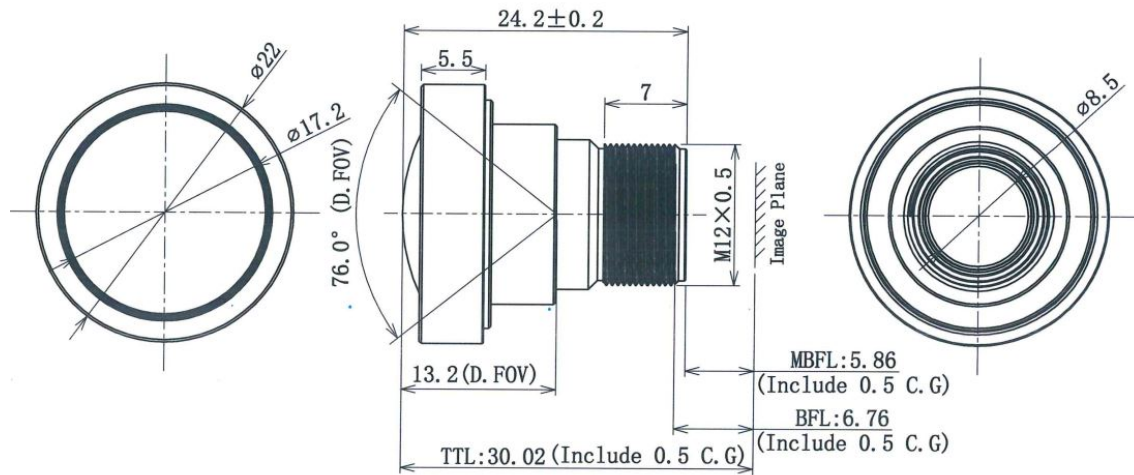


BM5822S118ND



The S-Mount lens Lensagon BM5822S118ND is suitable for common sensors up to 2 megapixel with an image format of 1/1.8 inch.

Technical Data

Mount	S-Mount
Sensor	1/1.8 - 1/2 inch Sensor
Focal Length	5.8 mm
Aperture	2.2
MOD	0.3 m
Back Focal	6.5 mm
Angle of View	D:76.2° H:68.5° V:42.1°
Megapixel	2 MP
IR Cut Filter	No
Optical Distortion	-2.4 %
Image Circle	9 mm
Iris	fixed
Focus	fixed
Chief ray angle	9.7 °
Typ	Standard

