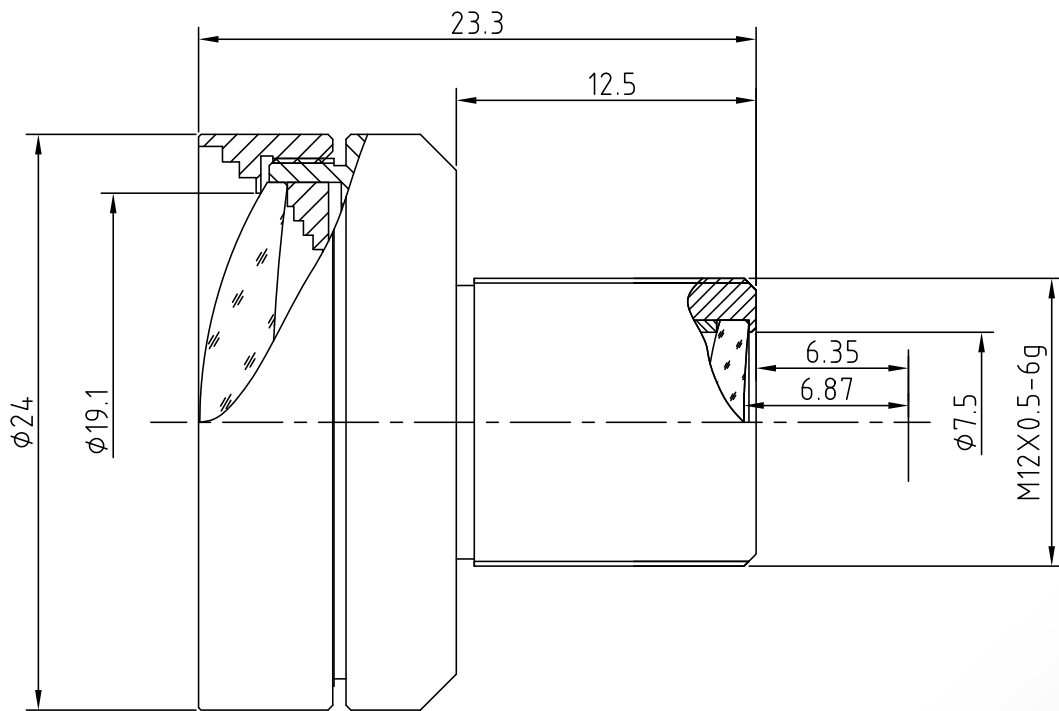


BM5518S12ND



The S-Mount lens Lensagon BM5518S12ND is suitable for common sensors up to 2.00 megapixel with an image format of 1/1.8 inch. It is characterized by a particularly high light intensity.

Technical Data

Mount	S-Mount
Sensor	1/1.8 - 1/2 inch Sensor
Focal Length	5.50 mm
Aperture	1.80
MOD	0.20 m
Back Focal	6.87 mm
Angle of View	D:76.00° H:64.50° V:51.00°
Megapixel	2.00 MP
IR Correction	Yes
Optical Distortion	2.20 %
Weight	17.20 g
Iris	fixed
Focus	fixed
Chief ray angle	12.70 °
Typ	Standard



Light Sensitive



2 Megapixel