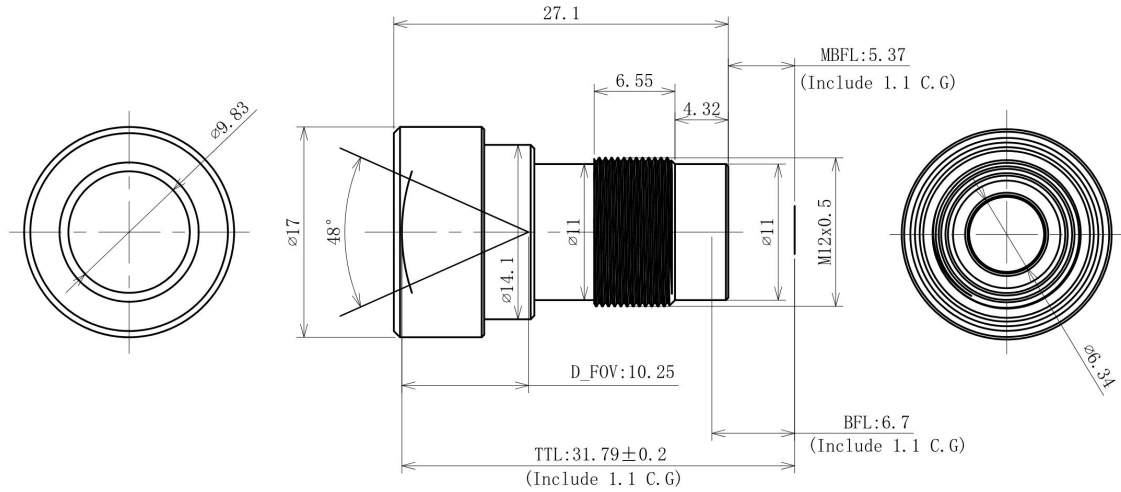


# BM5023S14-SWIR



The S-Mount lens Lensagon BM5023S14-SWIR is suitable for sensors below 1 megapixel with an image format of 1/4 inch.

## Technical Data

Mount	S-Mount
Sensor	1/4 inch
Focal Length	5 mm
Aperture	2.3
MOD	0.5 m
Back Focal	6.7 mm
Angle of View	D:48° H:38° V:30°
Optical Distortion	-4.8 %
Image Circle	4.5 mm
Iris	fixed
Focus	fixed
Chief ray angle	5 °
Typ	Standard

