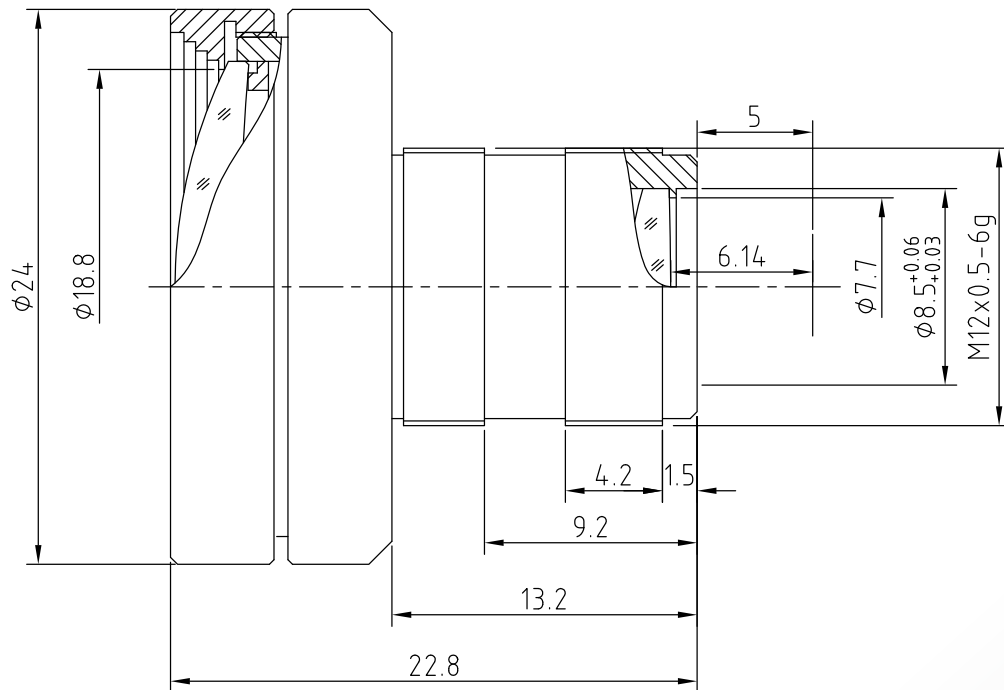


BM4518S125ND



The S-Mount lens Lensagon BM4518S125ND is suitable for common sensors up to 3 megapixel with an image format of 1/2.5 inch. It is characterized by a particularly high light intensity.

Technical Data

Mount	S-Mount
Sensor	1/2.5 inch
Focal Length	4.5 mm
Aperture	1.8
MOD	0.2 m
Back Focal	6.14 mm
Angle of View	D:76.4° H:66° V:51°
Megapixel	3 MP
IR Correction	Yes
Optical Distortion	1.9 %
Weight	14.8 g
Iris	fixed
Focus	fixed
Chief ray angle	10 °
Typ	Standard



Light Sensitive



Megapixel