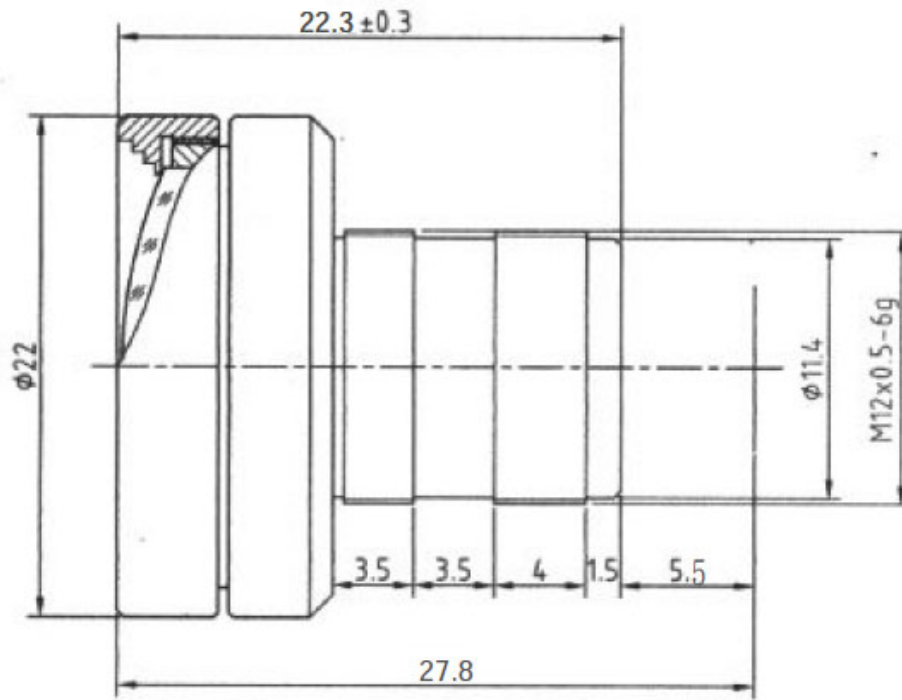


# Lensagon BM4516NDC



The S-Mount lens Lensagon BM4516NDC is suitable for common sensors up to 3 megapixel with an image format of 1/3 inch. It is characterized by a particularly high light intensity.

## Technical Data

Mount	S-Mount
Sensor	1/3 inch
Focal Length	4.5 mm
Aperture	1.6
Angle of View	D:68° H:54.4° V:40.8°
Megapixel	3 MP
IR Cut Filter	Yes
Distortion	1.9 %
Image Circle	6 mm
Weight	13 g
Iris	fixed
Focus	fixed
Typ	Standard



Light Sensitive



3 Megapixel

