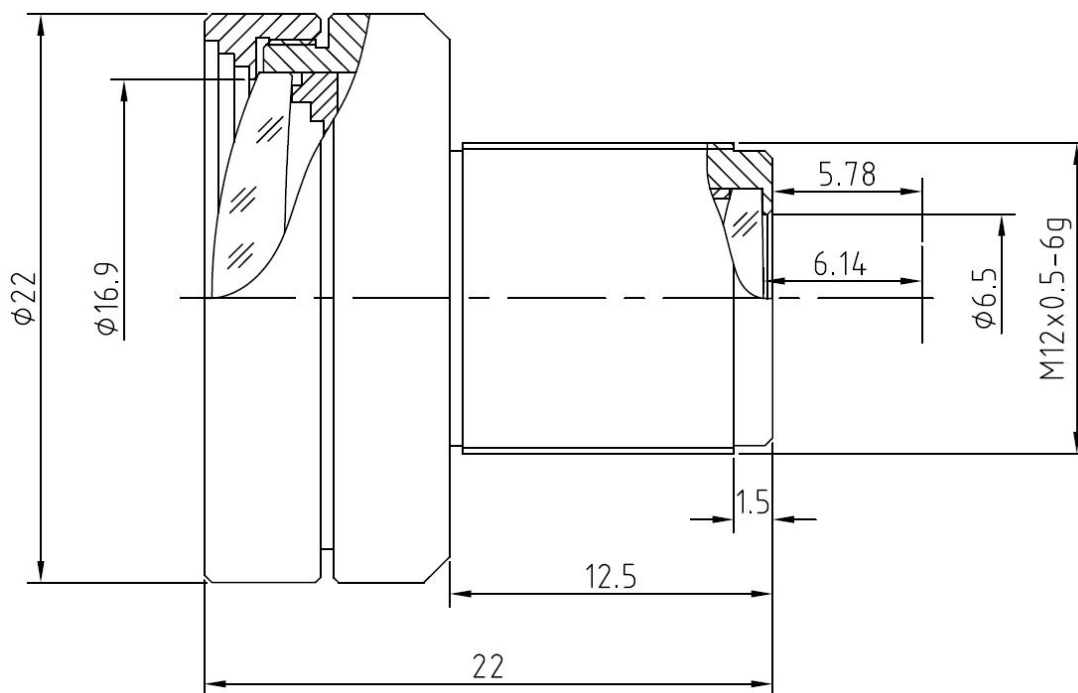


Lensagon BM4516ND



The S-Mount lens Lensagon BM4516ND is suitable for common sensors up to 3 megapixel with an image format of 1/3 inch. It is characterized by a particularly high light intensity.

Technical Data

Mount	S-Mount
Sensor	1/3 inch
Focal Length	4.5 mm
Aperture	1.6
MOD	0.2 m
Back Focal	6.1 mm
Angle of View	D:68° H:57° V:44°
Megapixel	3 MP
IR Correction	Yes
Optical Distortion	1.9 %
Image Circle	6 mm
Weight	13 g
Iris	fixed
Focus	fixed
Chief ray angle	8.9 °
Typ	Standard



Light Sensitive



Megapixel