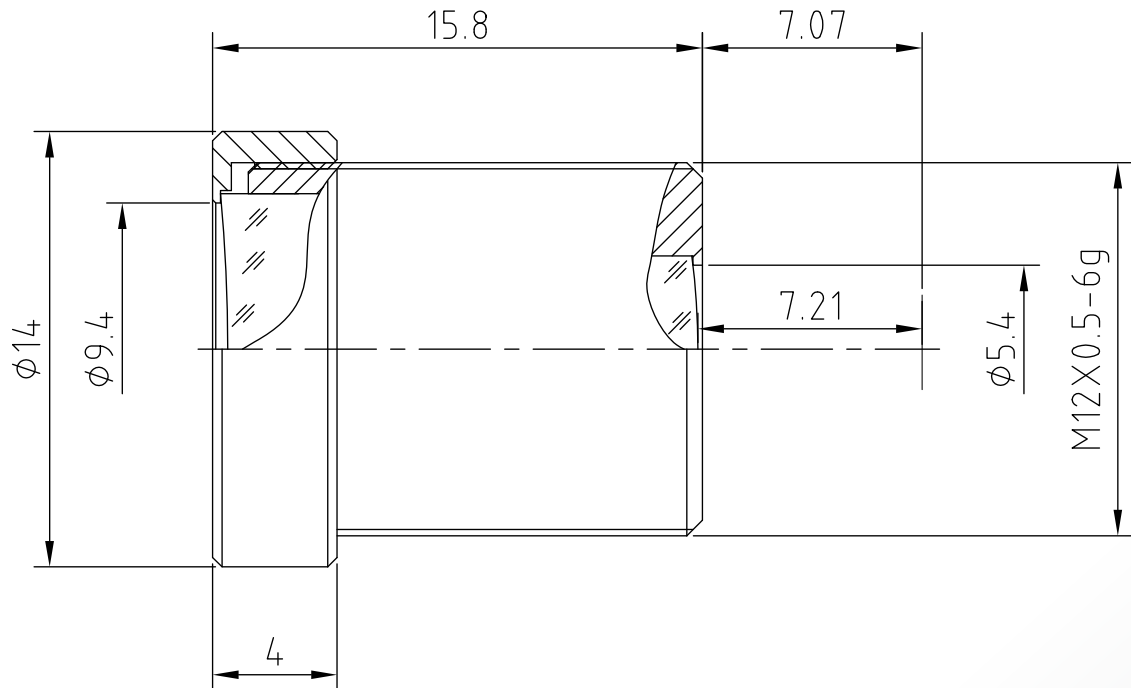


Lensagon BM4218



The S-Mount lens Lensagon BM4218 is suitable for common sensors up to 1 megapixel with an image format of 1/3 inch. It is characterized by a particularly high light intensity.

Technical Data

Mount	S-Mount
Sensor	1/3 inch
Focal Length	4.2 mm
Aperture	1.8
MOD	0.2 m
Back Focal	7.21 mm
Angle of View	D:89° H:71° V:49.5°
Megapixel	1-2 MP
IR Correction	Yes
Distortion	-29 %
Weight	6 g
Iris	fixed
Focus	fixed
Typ	Standard



Light Sensitive



1 Megapixel