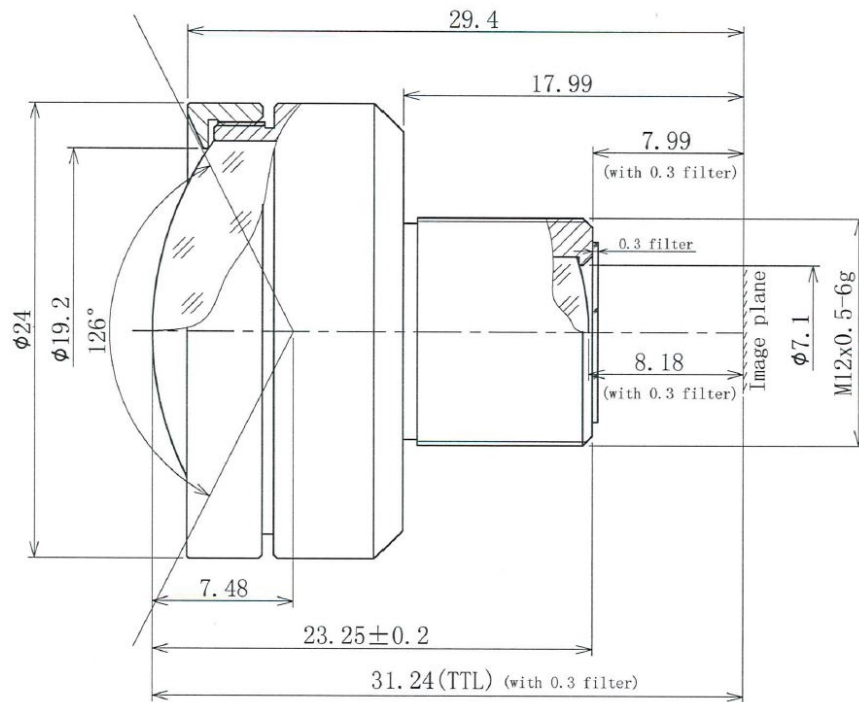


# BM4018S118C



The S-Mount lens Lensagon BM4018S118C is suitable for common sensors up to 3 megapixel with an image format of 1/1.8 inch. It is characterized by a particularly high light intensity.

## Technical Data

Mount	S-Mount
Sensor	1/1.8 - 1/2 inch Sensor
Focal Length	4 mm
Aperture	1.8
MOD	0.2 m
Back Focal	8 mm
Angle of View	D:126° H:101° V:76°
Megapixel	3 MP
IR Correction	No
IR Cut Filter	Yes
Optical Distortion	-45 %
Weight	20 g
Iris	fixed
Focus	fixed
Typ	Standard



Light Sensitive



Megapixel