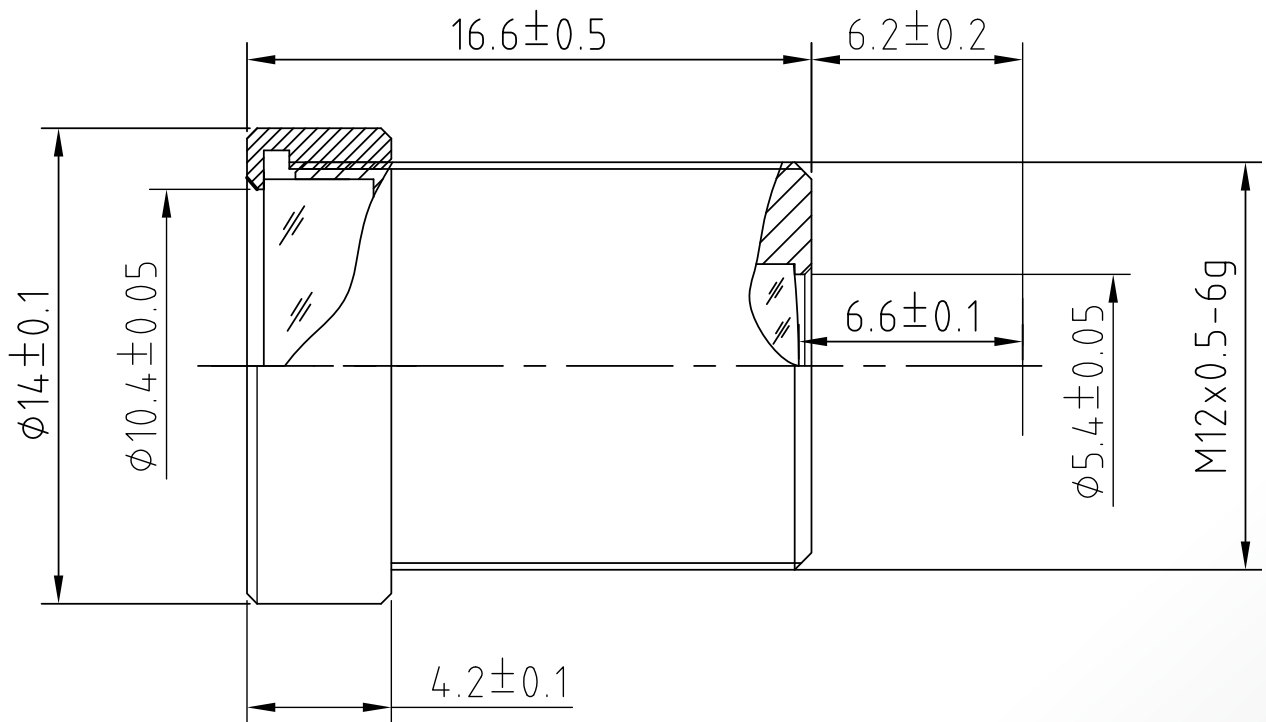


Lensagon BM3618



The S-Mount lens Lensagon BM3618 is suitable for common sensors up to 1 megapixel with an image format of 1/3 inch. It is characterized by a particularly high light intensity. mapping function / Abbildungsfunktion: gnomonisch / gnomonical

Technical Data

Mount	S-Mount
Sensor	1/3 inch
Focal Length	3.6 mm
Aperture	1.8
MOD	0.2 m
Back Focal	6.59 mm
Angle of View	D:100.2° H:77° V:54°
Megapixel	1-2 MP
IR Correction	Yes
IR Cut Filter	corrected
Optical Distortion	34.1 %
Weight	5.3 g
Iris	fixed
Focus	fixed
Chief ray angle	15.2 °
Typ	Standard



Light Sensitive



1 Megapixel