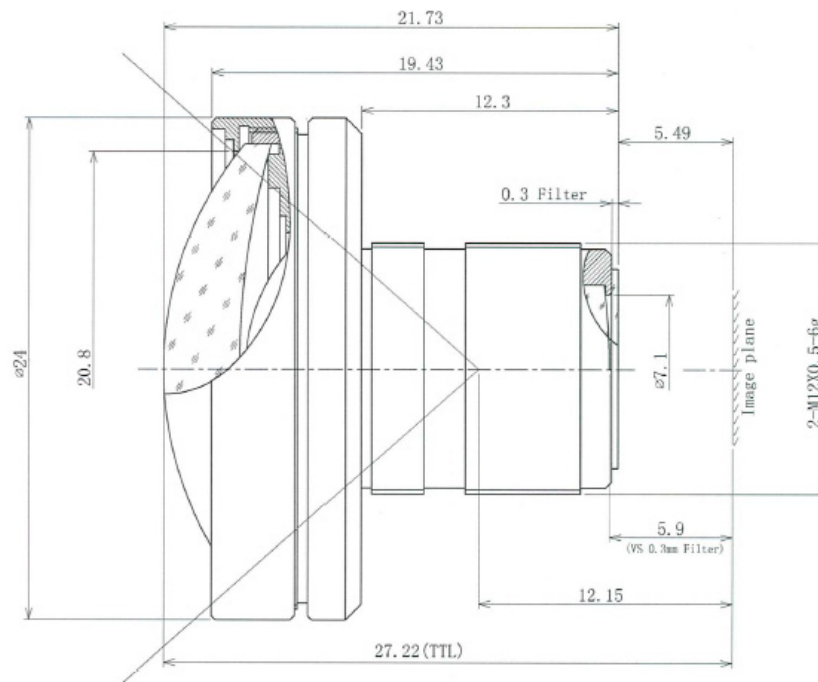


# BM3518S125NDC



The S-Mount lens Lensagon BM3518S125NDC is suitable for sensors below 1 megapixel with an image format of 1/2.5 inch. It is characterized by a particularly high light intensity.

## Technical Data

Mount	S-Mount
Sensor	1/2.5 inch
Focal Length	3.5 mm
Aperture	1.8
MOD	0.2 m
Back Focal	5.99 mm
Angle of View	D:90° H:84° V:68°
IR Correction	No
IR Cut Filter	Yes
Optical Distortion	-1.5 %
Weight	13.7 g
Iris	fixed
Focus	fixed
Chief ray angle	9.4 °
Typ	Standard



Light Sensitive