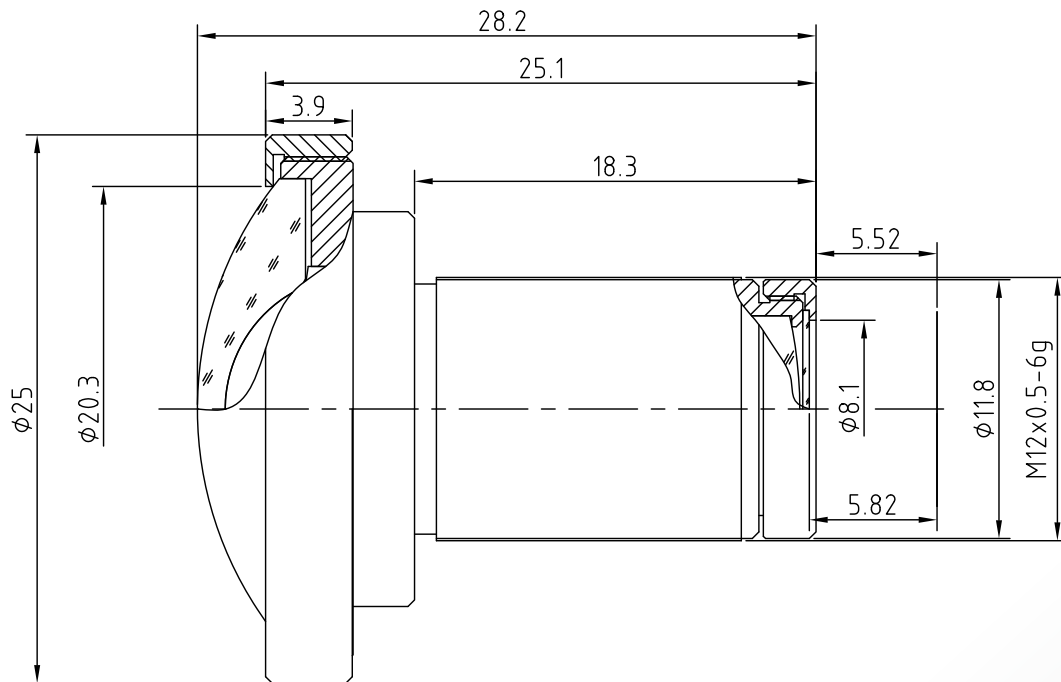


# BM2920S118C



The S-Mount lens Lensagon BM2920S118C is suitable for common sensors up to 1 megapixel with an image format of 1/1.8 inch.

## Technical Data

Mount	S-Mount
Sensor	1/1.8 - 1/2 inch Sensor
Focal Length	2.95 mm
Aperture	2.8
MOD	0.15 m
Back Focal	5.82 mm
Angle of View	D:178° H:138° V:104°
Megapixel	1-2 MP
IR Cut Filter	Yes
Distortion	-97 %
Image Circle	8.93 mm
Weight	14 g
Iris	fixed
Focus	fixed
Typ	Standard



**1** Megapixel