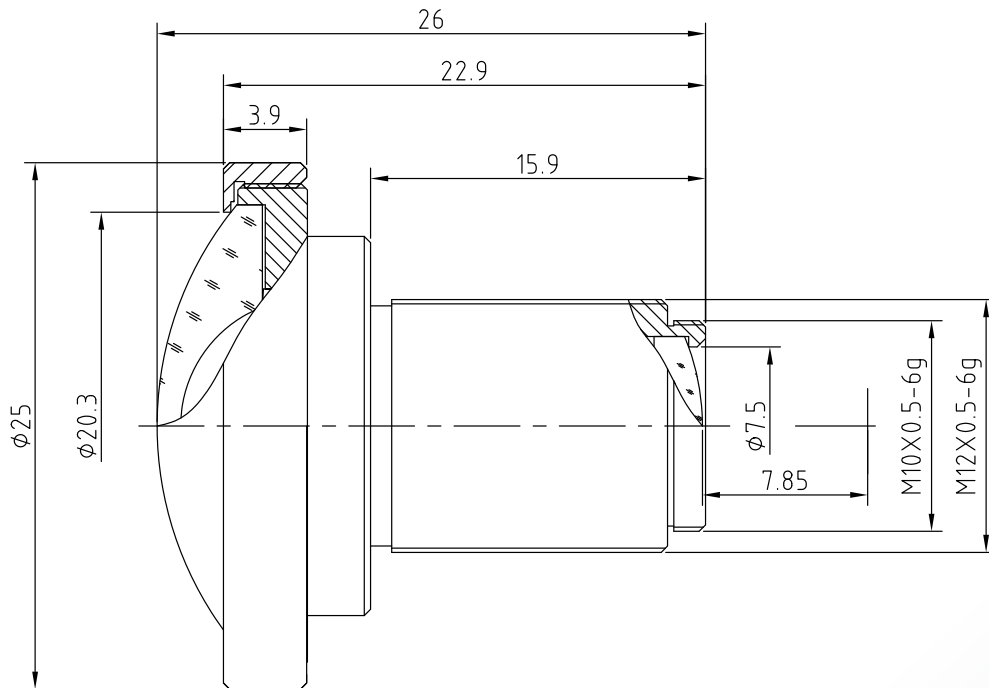


BM2920S118



The S-Mount lens Lensagon BM2920S118 is suitable for common sensors up to 1 megapixel with an image format of 1/1.8 inch. Chief Ray Angle: 13.2°

Technical Data

Mount	S-Mount
Sensor	1/1.8 - 1/2 inch Sensor
Focal Length	2.95 mm
Aperture	2.8
MOD	0.15 m
Back Focal	7.85 mm
Angle of View	D:178° H:138° V:104°
Megapixel	1-2 MP
IR Correction	Yes
IR Cut Filter	No
Optical Distortion	-97 %
Image Circle	8.93 mm
Weight	13 g
Iris	fixed
Focus	fixed
Typ	Standard



1 Megapixel