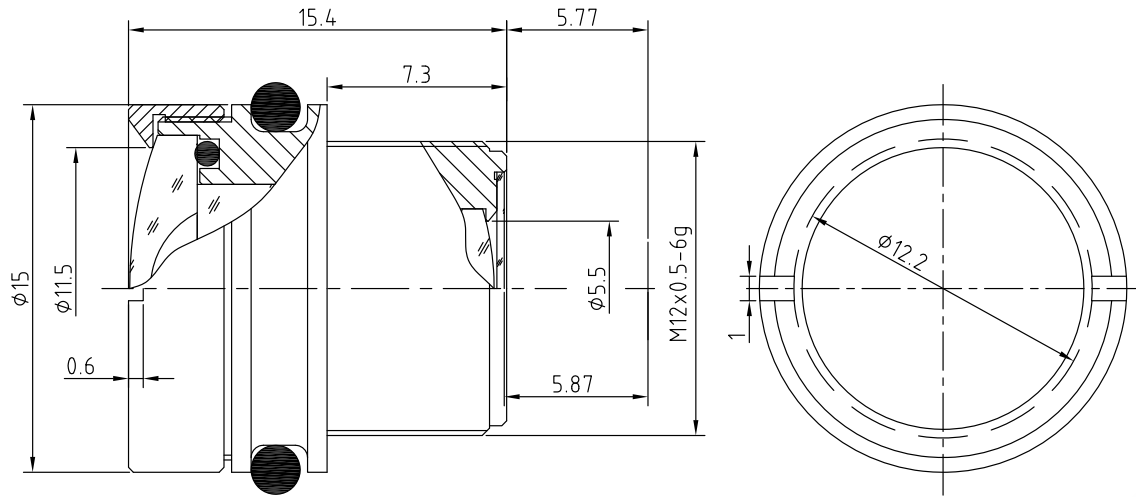


BM2820S127WPC



The S-Mount lens Lensagon BM2820S127WPC is suitable for common sensors up to 1 megapixel with an image format of 1/2.7 inch. It is characterized by a particularly high light intensity.

Technical Data

Mount	S-Mount
Sensor	1/2.7 inch
Focal Length	2.8 mm
Aperture	2
MOD	0.2 m
Back Focal	5.87 mm
Angle of View	D:142° H:110° V:81.5°
Megapixel	1-2 MP
IR Cut Filter	Yes
Distortion	-45.6 %
Iris	fixed
Focus	fixed
Typ	Standard



Light Sensitive



1 Megapixel

