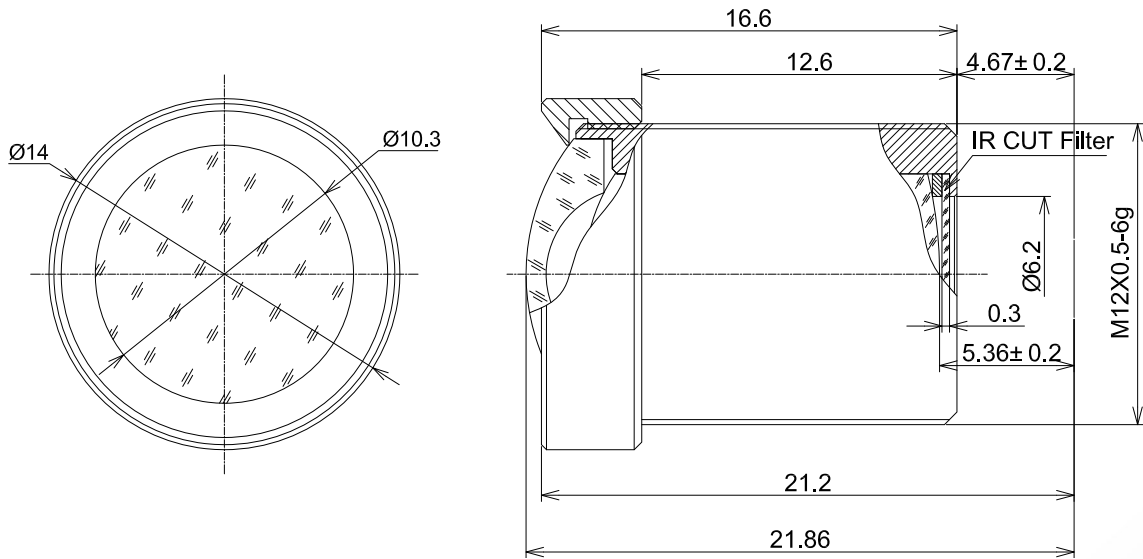


Lensagon BM2820C



The S-Mount lens Lensagon BM2820C is suitable for common sensors up to 1.00 megapixel with an image format of 1/3 inch. It is characterized by a particularly high light intensity.

Technical Data

Mount	S-Mount
Sensor	1/3 inch
Focal Length	2.80 mm
Aperture	2.00
MOD	0.10 m
Back Focal	5.36 mm
Angle of View	D:122.00° H:98.00° V:73.00°
Megapixel	1-2 MP
IR Correction	No
IR Cut Filter	Yes
Optical Distortion	-40.00 %
Weight	5.40 g
Iris	fixed
Focus	fixed
Chief ray angle	15.00 °
Typ	Standard



Light Sensitive



1 Megapixel