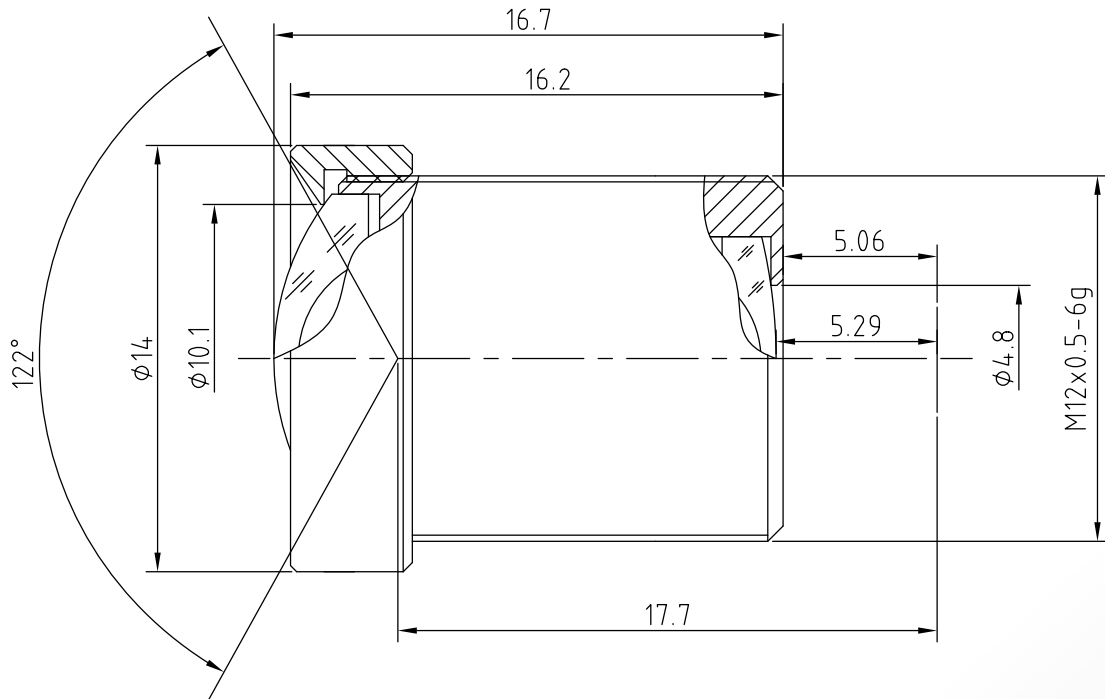


# Lensagon BM2820



The S-Mount lens Lensagon BM2820 is suitable for sensors below 1 megapixel with an image format of 1/3 inch. It is characterized by a particularly high light intensity.

## Technical Data

Mount	S-Mount
Sensor	1/3 inch
Focal Length	2.8 mm
Aperture	2
MOD	0.2 m
Back Focal	5.29 mm
Angle of View	D:122° H:98° V:73°
IR Correction	Yes
Distortion	-40 %
Weight	7 g
Iris	fixed
Focus	fixed
Typ	Standard

