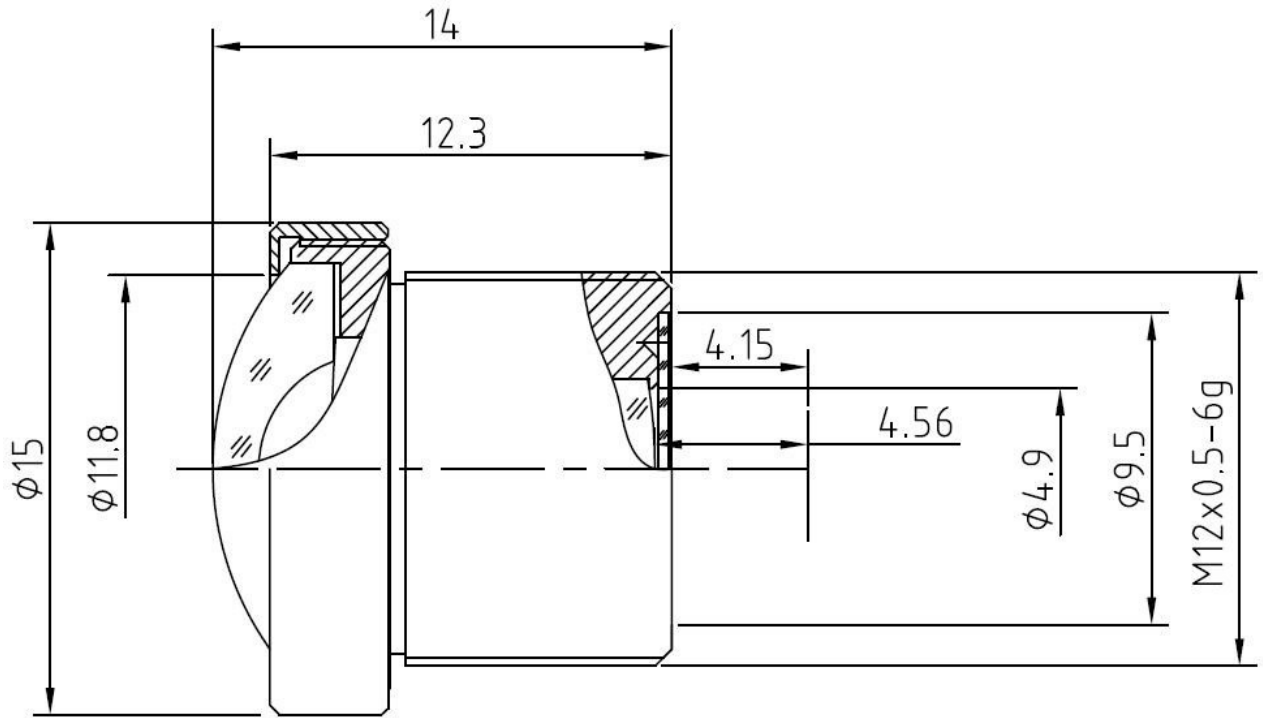


Lensagon BM2420C



The S-Mount lens Lensagon BM2420C is suitable for sensors below 1 megapixel with an image format of 1/3 inch. It is characterized by a particularly high light intensity.

Technical Data

Mount	S-Mount
Sensor	1/3 inch
Focal Length	2.4 mm
Aperture	2
MOD	0.15 m
Back Focal	4.56 mm
Angle of View	D:132° H:104° V:77°
IR Correction	No
IR Cut Filter	Yes
Weight	4.7 g
Iris	fixed
Focus	fixed
Typ	Standard



Light Sensitive