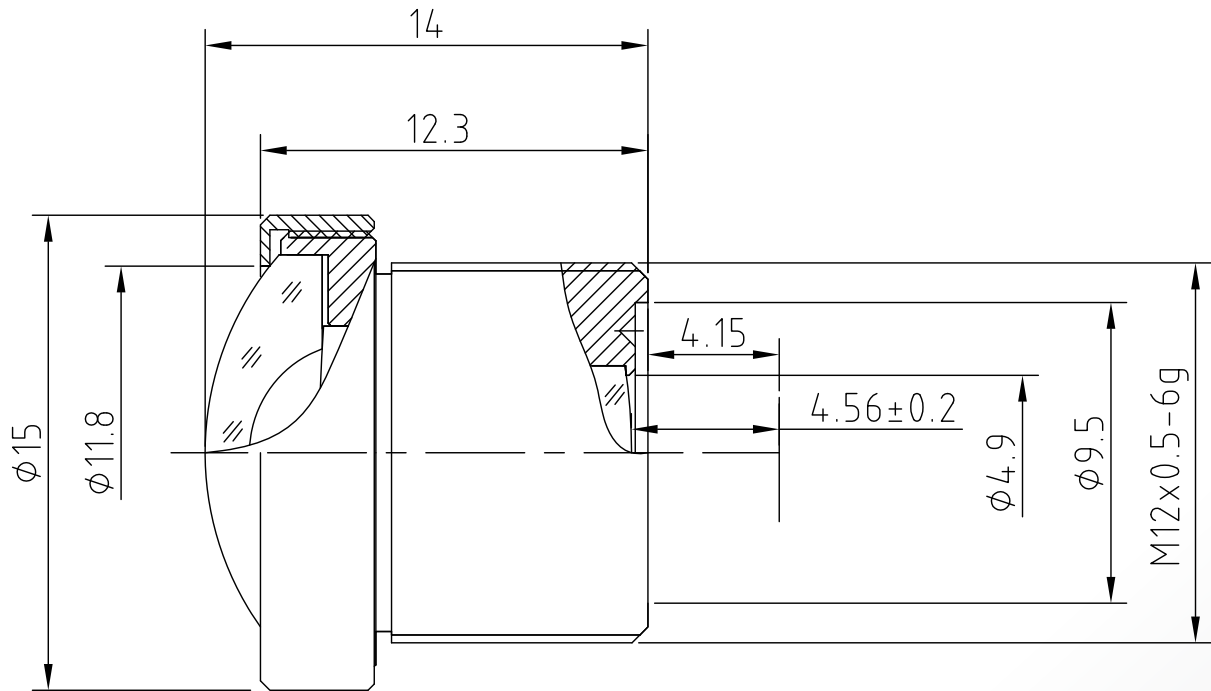


Lensagon BM2420



The S-Mount lens Lensagon BM2420 is suitable for common sensors up to 1 megapixel with an image format of 1/3 inch. It is characterized by a particularly high light intensity. IR Correction up to 840nm

Entrypupil 4.25mm

Technical Data

Mount	S-Mount
Sensor	1/3 inch
Focal Length	2.4 mm
Aperture	2
MOD	0.15 m
Back Focal	4.56 mm
Angle of View	D:132° H:104° V:77°
Megapixel	1-2 MP
IR Correction	Yes
Optical Distortion	-25 %
Weight	4.6 g
Iris	fixed
Focus	fixed
Typ	Standard



Light Sensitive



1 Megapixel