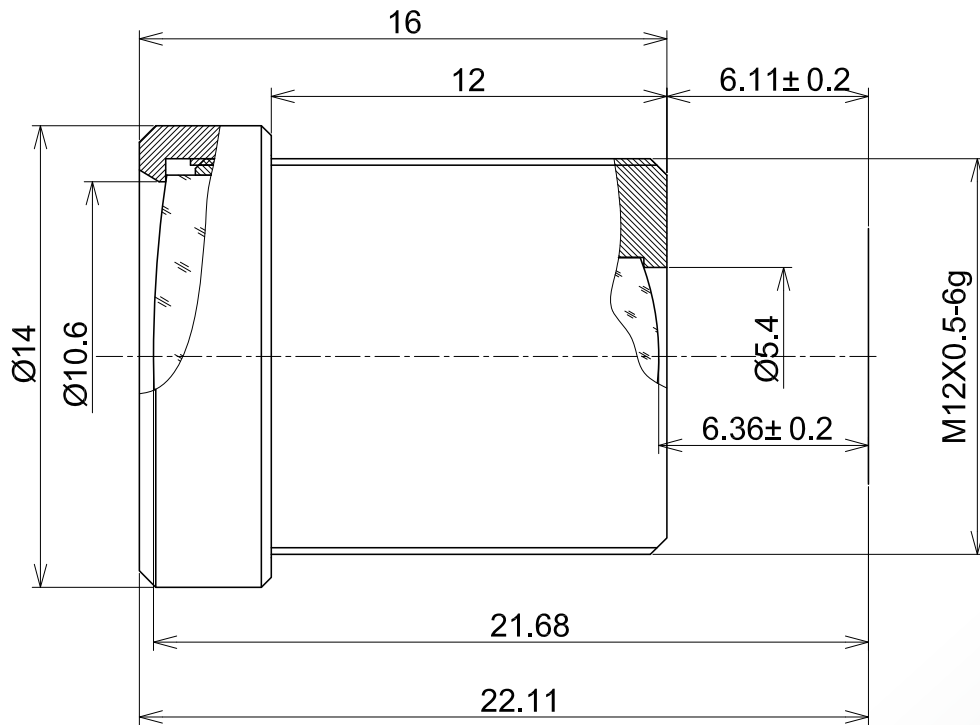


Lensagon BM16018C



The S-Mount lens Lensagon BM16018C is suitable for common sensors up to 1 megapixel with an image format of 1/3 inch. It is characterized by a particularly high light intensity.

Technical Data

Mount	S-Mount
Sensor	1/3 inch
Focal Length	16 mm
Aperture	1.8
MOD	0.2 m
Back Focal	6.59 mm
Angle of View	D:21° H:16.4° V:12.5°
Megapixel	1-2 MP
IR Correction	Yes
Optical Distortion	2 %
Weight	5.2 g
Iris	fixed
Focus	fixed
Typ	Standard



Light Sensitive



1 Megapixel