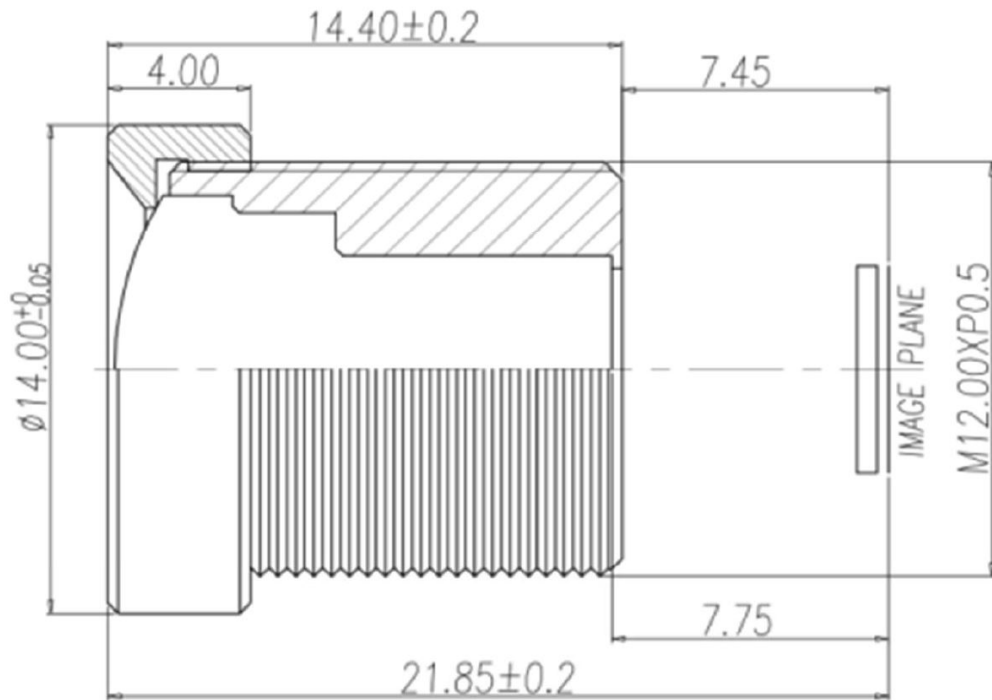


BM12028S13E



The S-Mount lens Lensagon BM12028S13E is suitable for sensors below 1 megapixel with an image format of 1/3 inch.

Technical Data

Mount	S-Mount
Sensor	1/3 inch
Focal Length	12 mm
Aperture	2.5
MOD	0.3 m
Back Focal	7.75 mm
Angle of View	D:28.6° H:22.9° V:17.2°
Optical Distortion	2 %

