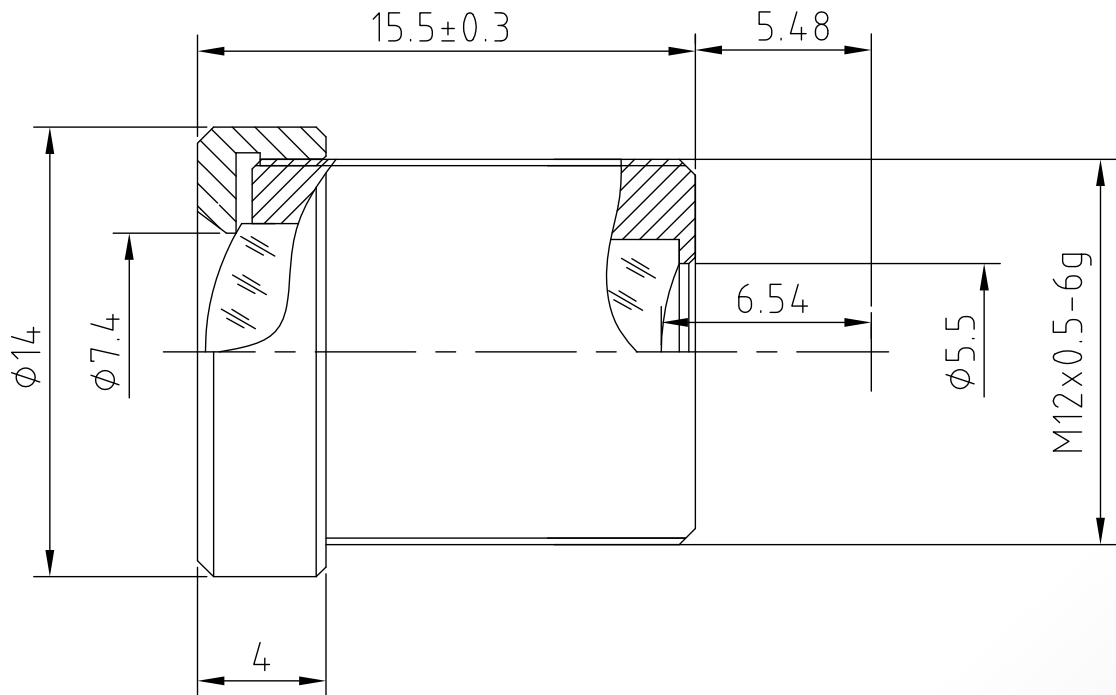


Lensagon BM12018



The S-Mount lens Lensagon BM12018 is suitable for sensors below 1 megapixel with an image format of 1/3 inch. It is characterized by a particularly high light intensity.

Technical Data

Mount	S-Mount
Sensor	1/3 inch
Focal Length	12 mm
Aperture	1.8
Back Focal	6.54 mm
Angle of View	D:28.4° H:22.7° V:17.2°
IR Correction	Yes
Weight	6 g
Iris	fixed
Focus	fixed
Typ	Standard



Light Sensitive

