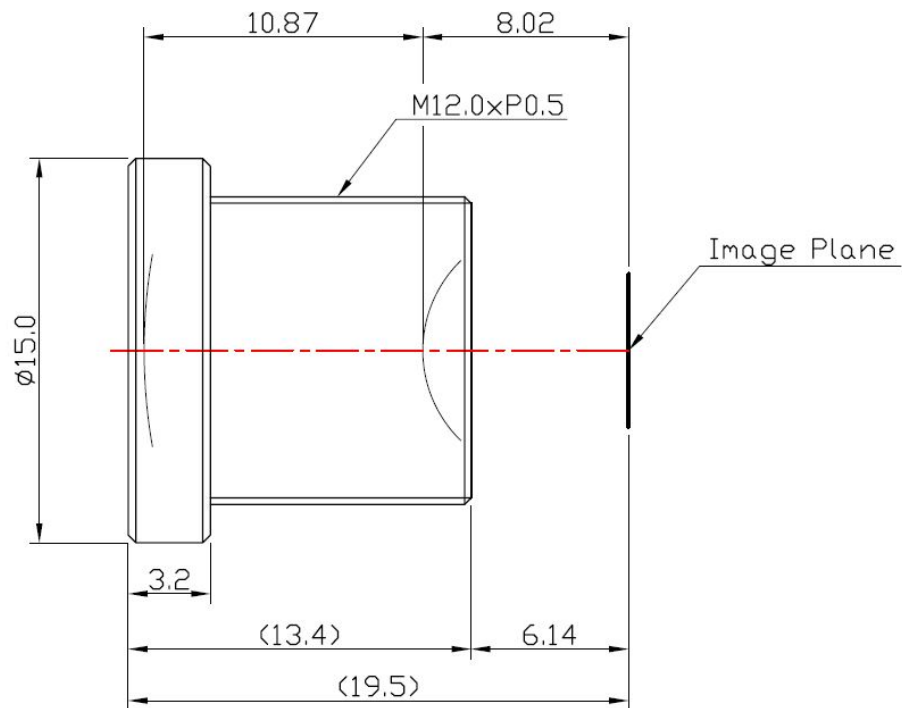


BM10028S12C



The S-Mount lens Lensagon BM10028S12C is suitable for common sensors up to 1 megapixel with an image format of 1/2 inch.

Technical Data

Mount	S-Mount
Sensor	1/2 inch
Focal Length	10.06 mm
Aperture	2.8
Back Focal	8 mm
Angle of View	D:44° H:36° V:27°
Megapixel	1-2 MP
IR Correction	No
IR Cut Filter	Yes
Weight	4.8 g
Iris	fixed
Focus	fixed
Typ	Standard