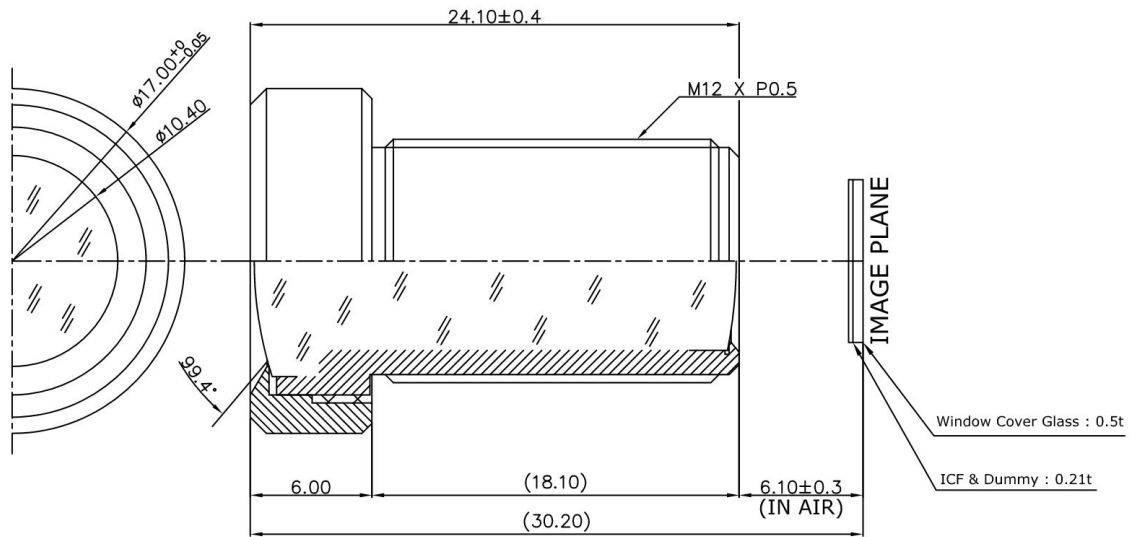


Lensagon BK5M5020



The S-Mount lens Lensagon BK5M5020 is suitable for common sensors up to 5 megapixel with an image format of 1/2 inch. It is characterized by a particularly high light intensity.

Technical Data

Mount	S-Mount
Sensor	1/2 inch
Focal Length	5 mm
Aperture	2
MOD	1.3 m
Back Focal	6.2 mm
Angle of View	D:99.4° H:75.5° V:55°
Megapixel	5 MP
IR Correction	Yes
IR Cut Filter	No
Weight	9.5 g
Iris	fixed
Focus	fixed
Typ	Standard



Light Sensitive



5 Megapixel