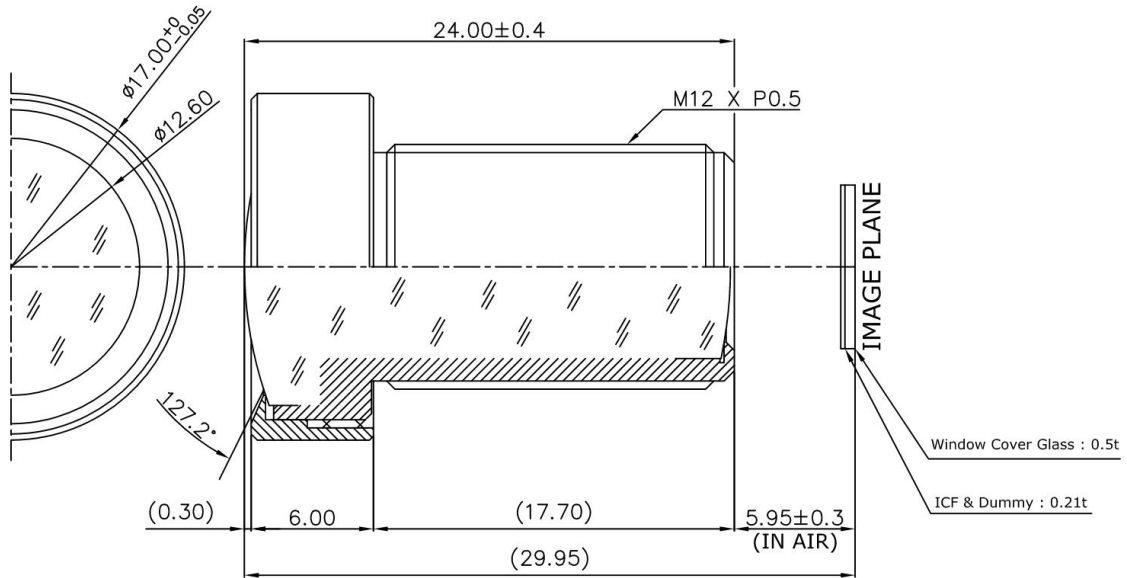


Lensagon BK5M3920



The S-Mount lens Lensagon BK5M3920 is suitable for common sensors up to 5 megapixel with an image format of 1/2 inch. It is characterized by a particularly high light intensity.

Technical Data

Mount	S-Mount
Sensor	1/2 inch
Focal Length	3.9 mm
Aperture	2
MOD	0.8 m
Back Focal	6.1 mm
Angle of View	D:127.2° H:96.1° V:70°
Megapixel	5 MP
IR Correction	Yes
IR Cut Filter	No
Weight	9.2 g
Iris	fixed
Focus	fixed
Typ	Standard



Light Sensitive



5 Megapixel