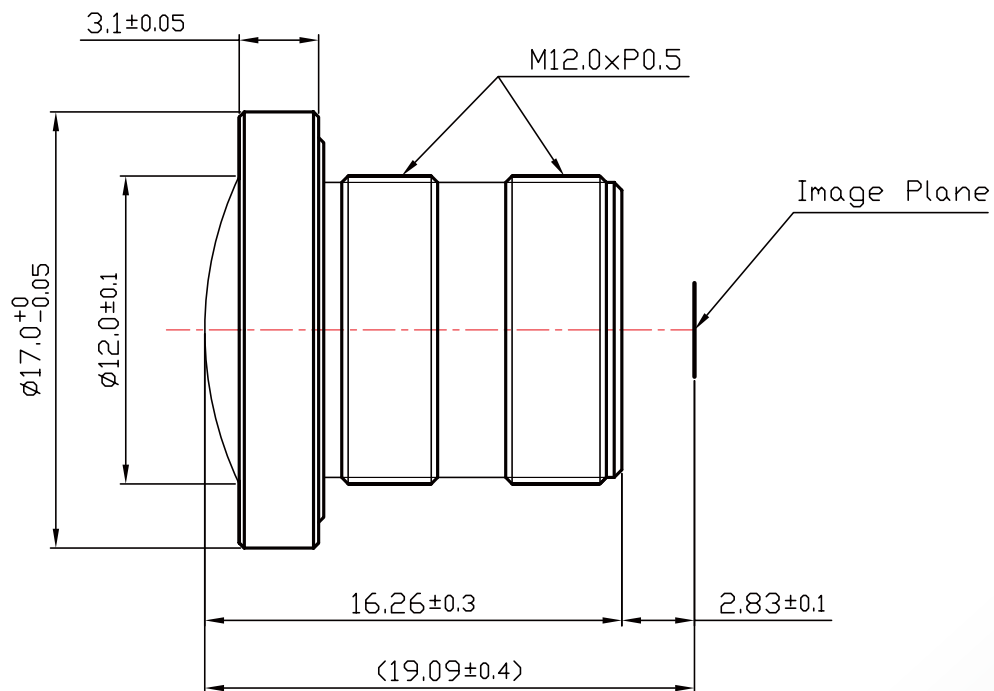


Lensagon BK1820



The S-Mount lens Lensagon BK1820 is suitable for sensors below 1 megapixel with an image format of 1/4 inch. It is characterized by a particularly high light intensity. mapping function: equisolid

Technical Data

Mount	S-Mount
Sensor	1/4 inch
Focal Length	1.79 mm
Aperture	2
MOD	0.2 m
Back Focal	3.65 mm
Angle of View	D:175° H:131° V:96°
IR Cut Filter	No
Weight	6 g
Iris	fixed
Focus	fixed
Typ	Standard



Light Sensitive

