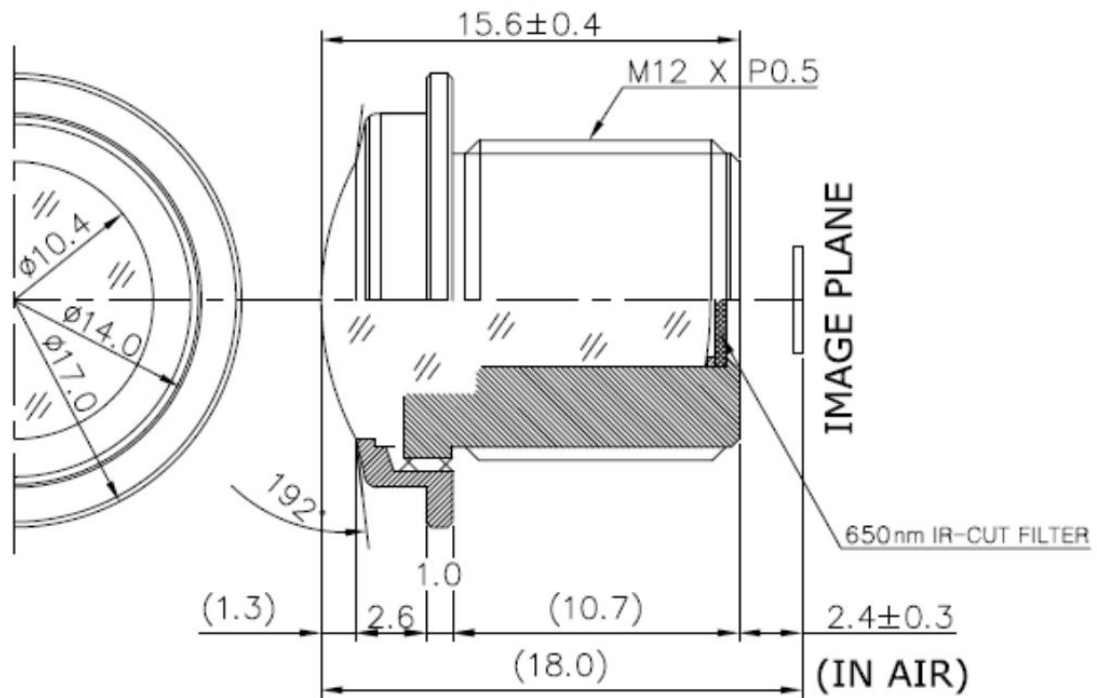


# Lensagon BK1220C



The S-Mount lens Lensagon BK1220C is suitable for sensors below 1 megapixel with an image format of 1/4 inch. It is characterized by a particularly high light intensity.

## Technical Data

Mount	S-Mount
Sensor	1/4 inch
Focal Length	1.2 mm
Aperture	2
Back Focal	3.4 mm
Angle of View	D:192° H:175° V:127°
Megapixel	0.3 MP
IR Correction	No
IR Cut Filter	Yes
Iris	fixed
Focus	fixed
Typ	Standard



Light Sensitive

