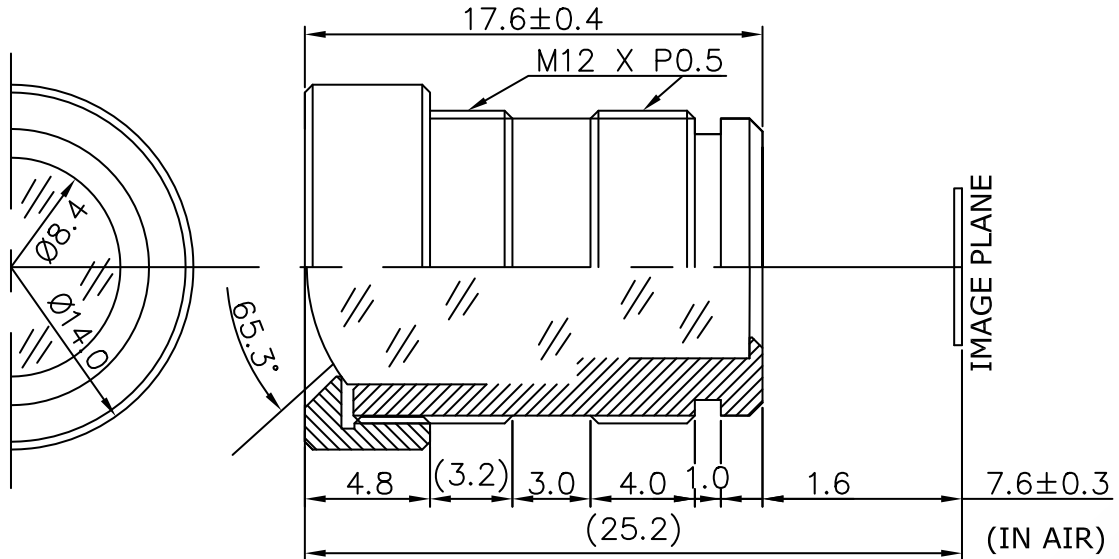


Lensagon BHR5620



The S-Mount lens Lensagon BHR5620 is suitable for sensors below 1 megapixel with an image format of 1/3 inch. It is characterized by a particularly high light intensity.

Technical Data

Mount	S-Mount
Sensor	1/3 inch
Focal Length	5.6 mm
Aperture	2
MOD	0.4 m
Back Focal	8.07 mm
Angle of View	D: 65.3° H: 51.4° V: 36.9°
Megapixel	0.7 MP
IR Correction	No
IR Cut Filter	Yes
Weight	6.4 g
Iris	fixed
Focus	fixed
Typ	Standard



Light Sensitive

