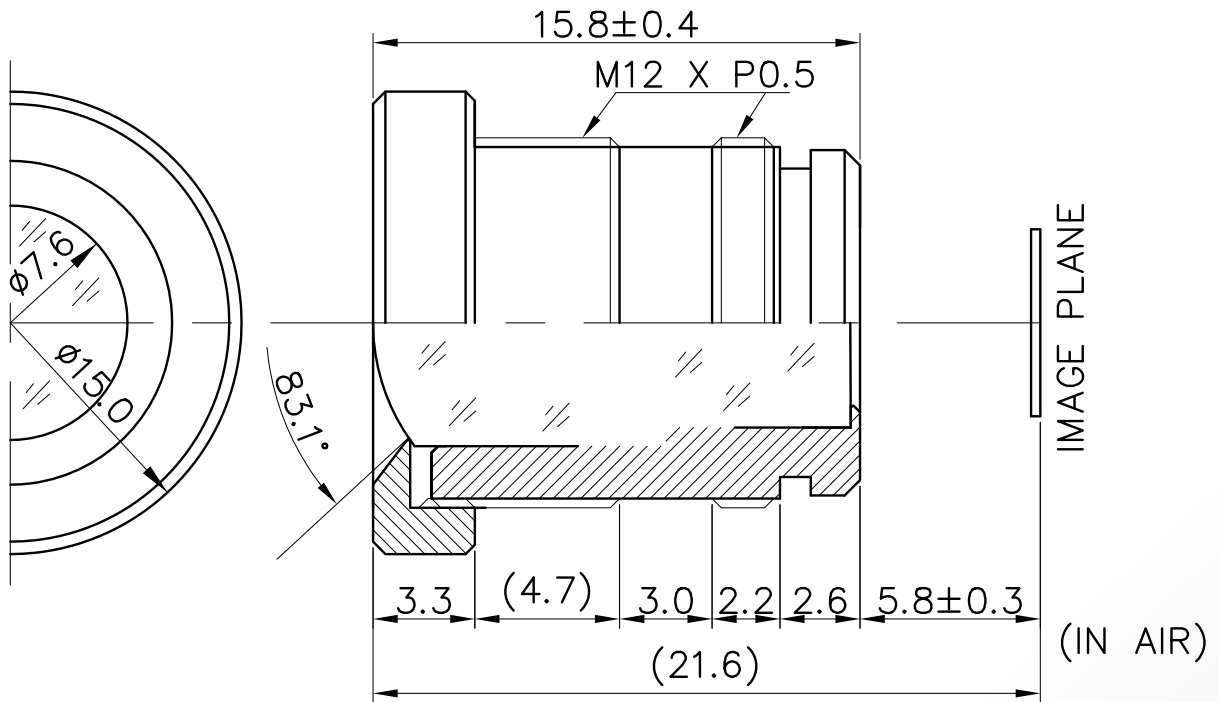


# Lensagon BHR4318



The S-Mount lens Lensagon BHR4318 is suitable for sensors below 1 megapixel with an image format of 1/3 inch. It is characterized by a particularly high light intensity.

## Technical Data

Mount	S-Mount
Sensor	1/3 inch
Focal Length	4.3 mm
Aperture	1.8
MOD	0.3 m
Back Focal	6.16 mm
Angle of View	D:83.1° H:73.7° V:47.3°
Megapixel	0.7 MP
IR Cut Filter	No
Weight	5.8 g
Iris	fixed
Focus	fixed
Typ	Standard



Light Sensitive