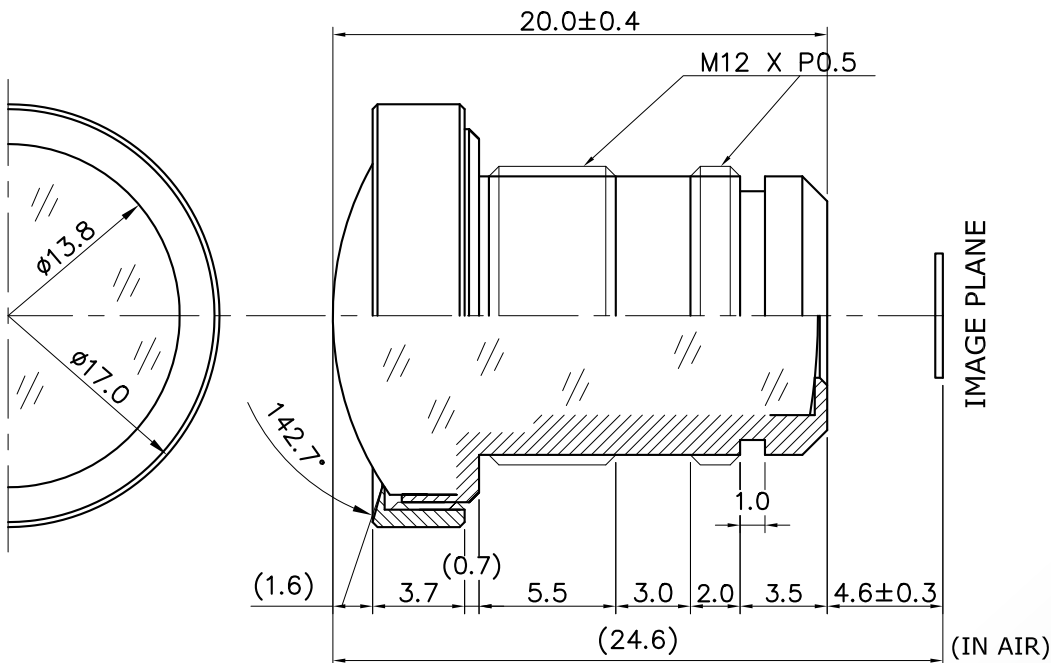


Lensagon BHR2525



The S-Mount lens Lensagon BHR2525 is suitable for sensors below 1 megapixel with an image format of 1/3 inch.

Technical Data

Mount	S-Mount
Sensor	1/3 inch
Focal Length	2.5 mm
Aperture	2.5
MOD	0.4 m
Back Focal	5.04 mm
Angle of View	D:142.7° H:113.4° V:85.9°
Megapixel	0.7 MP
IR Cut Filter	No
Optical Distortion	-63 %
Weight	7.3 g
Iris	fixed
Focus	fixed
Typ	Standard

