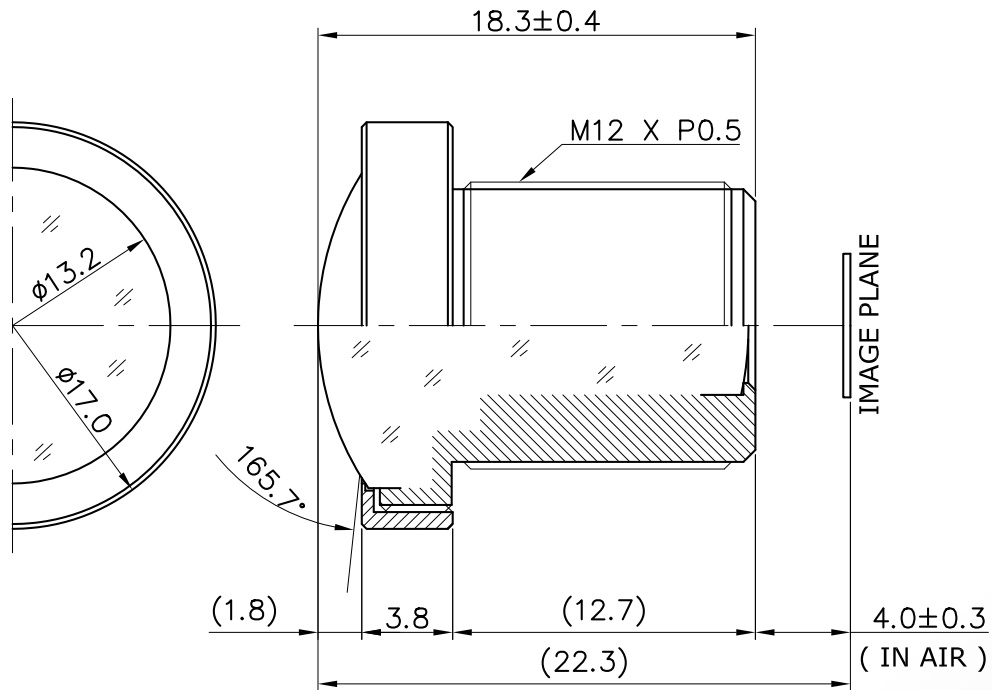


# Lensagon BHR2125



The S-Mount lens Lensagon BHR2125 is suitable for sensors below 1 megapixel with an image format of 1/3 inch.

## Technical Data

Mount	S-Mount
Sensor	1/3 inch
Focal Length	2.1 mm
Aperture	2.5
MOD	0.2 m
Back Focal	4.25 mm
Angle of View	D:165.7° H:132.3° V:102°
Megapixel	0.7 MP
IR Cut Filter	No
Optical Distortion	-85.1 %
Image Circle	6 mm
Weight	6.6 g
Iris	fixed
Focus	fixed
Chief ray angle	16.96 °
Typ	Standard

