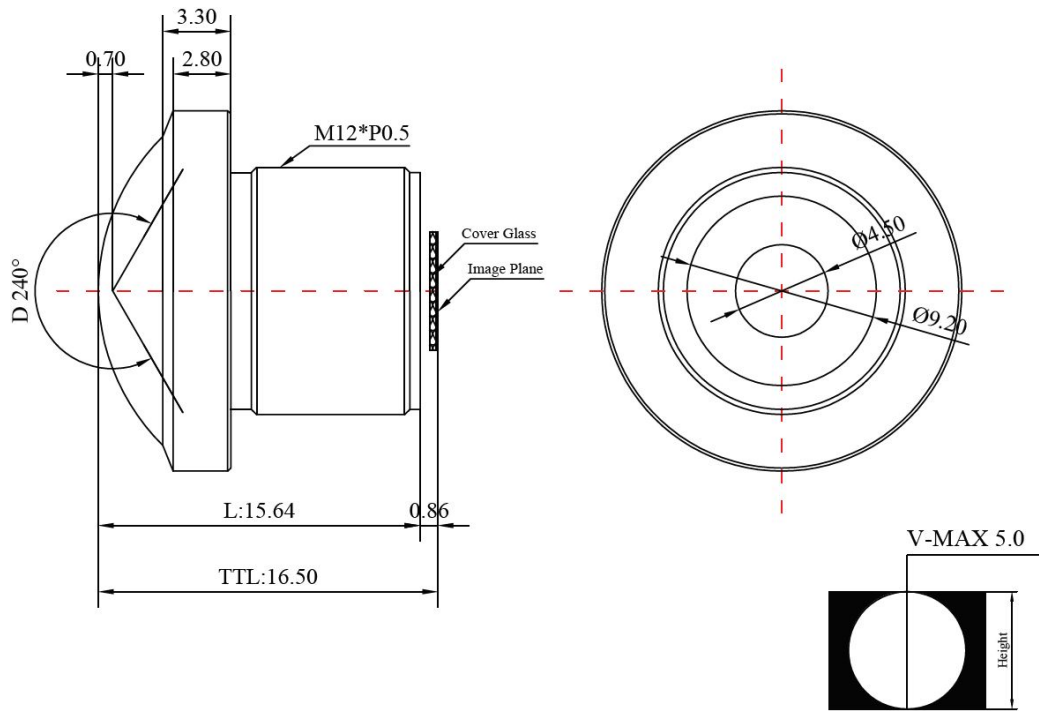


BF8M14520S12C



The S-Mount lens Lensagon BF8M14520S12C is suitable for current sensors up to 8.00 megapixel with an image format of 1/2 inch. It is characterized by a particularly high light intensity.

Technical Data

Mount	S-Mount
Sensor	1/2 inch
Focal Length	1.45 mm
Aperture	2.00
MOD	0.10 m
Back Focal	2.60 mm
Angle of View	D:240.00° H:240.00° V:215.00°
Megapixel	8.00 MP
IR Cut Filter	Yes
Image Circle	5.00 mm
Weight	5.50 g
Iris	fixed
Focus	fixed
Chief ray angle	18.00 °
Filter	T=50% @ 650nm \pm 10nm
Typ	Fisheye



Light Sensitive



8 Megapixel