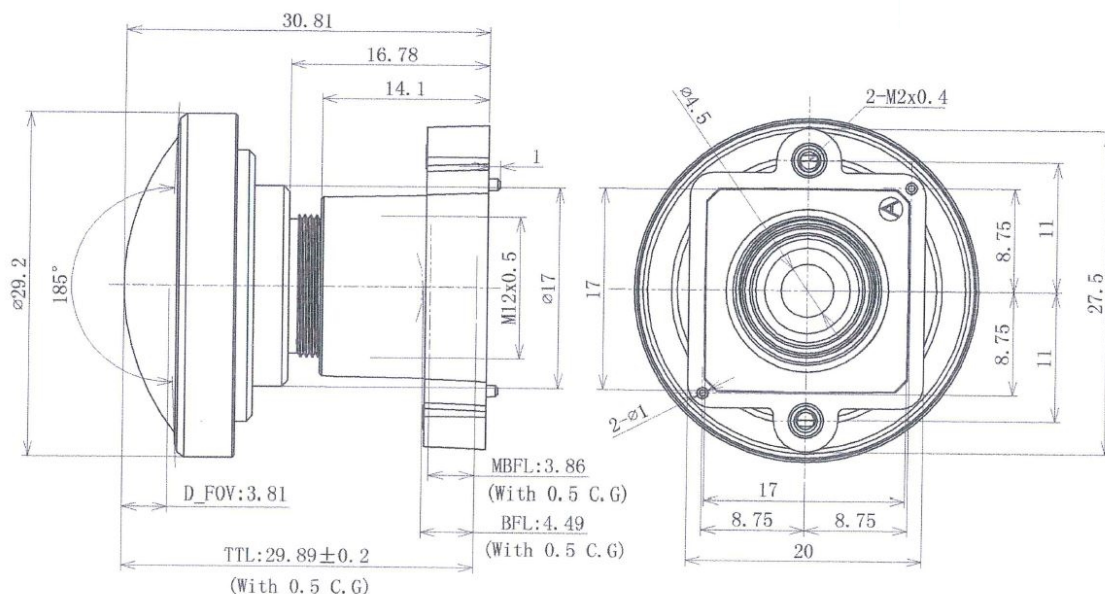


# BF8M12822S117



The S-Mount lens Lensagon BF8M12822S117 is suitable for current sensors up to 8.00 megapixel with an image format of 1/1.7 inch.

## Technical Data

Mount	S-Mount
Sensor	1/1.7 inch
Focal Length	1.28 mm
Aperture	2.20
MOD	0.10 m
Back Focal	4.49 mm
Angle of View	D:185.00° H:185.00° V:185.00°
Megapixel	8.00 MP
Image Circle	5.38 mm
Iris	fixed
Focus	fixed
Typ	Fisheye

**8** Megapixel

