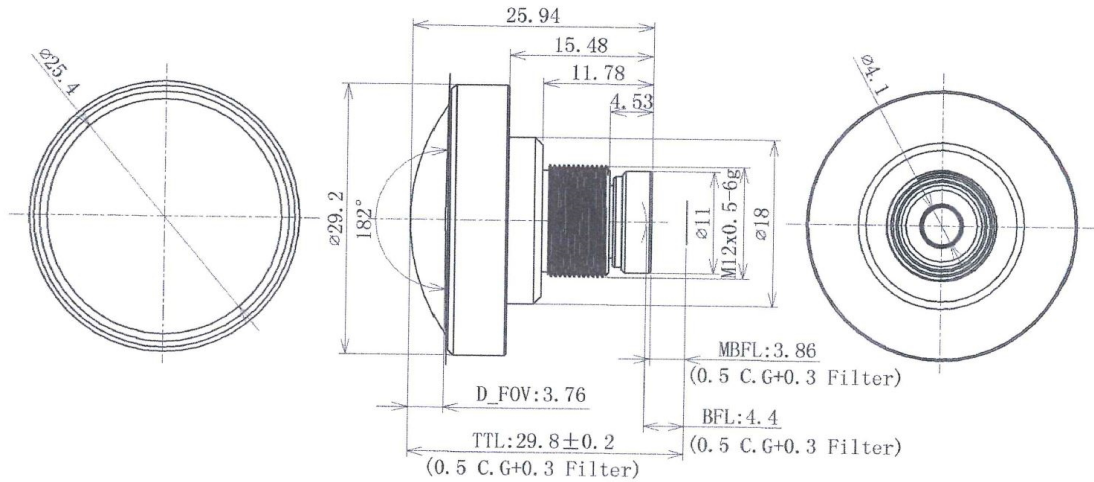


# BF8M1222S123



The S-Mount lens Lensagon BF8M1222S123 is suitable for current sensors up to 8 megapixel with an image format of 1/2.3 inch.

## Technical Data

Mount	S-Mount
Sensor	1/2.3 inch
Focal Length	1.22 mm
Aperture	2.2
MOD	0.1 m
Back Focal	4.4 mm
Angle of View	D:182° H:182° V:182°
Megapixel	8 MP
Image Circle	4.68 mm
Iris	fixed
Focus	fixed
Chief ray angle	14.3 °
Typ	Standard

