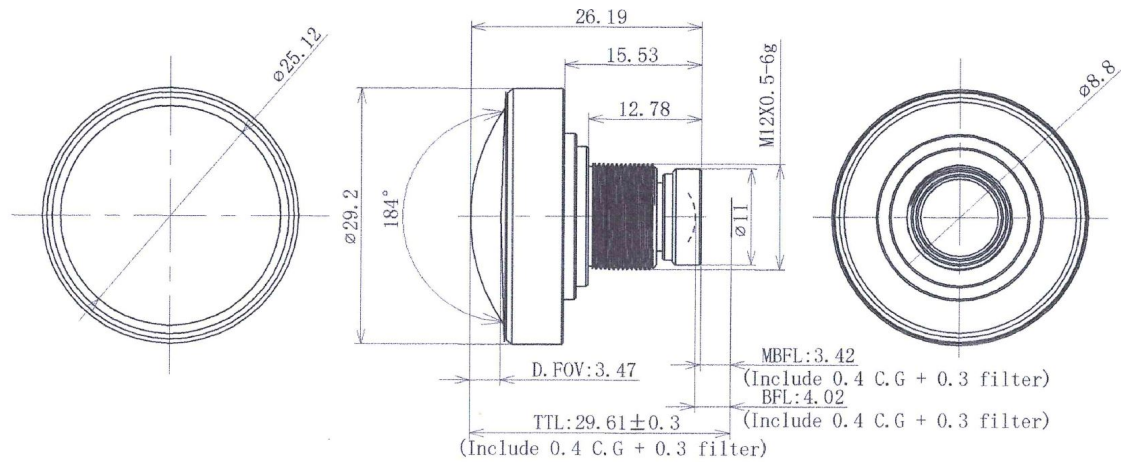


BF8M11222S118C



The S-Mount lens Lensagon BF8M11222S118C is suitable for current sensors up to 8 megapixel with an image format of 1/1.8 inch.

Technical Data

Mount	S-Mount
Sensor	1/1.8 - 1/2 inch Sensor
Focal Length	1.12 mm
Aperture	2.2
MOD	0.1 m
Back Focal	4.02 mm
Angle of View	D:184° H:184° V:184°
Megapixel	8 MP
IR Cut Filter	Yes
Image Circle	4.32 mm
Iris	fixed
Focus	fixed
Chief ray angle	13.9 °
Typ	Standard



8 Megapixel