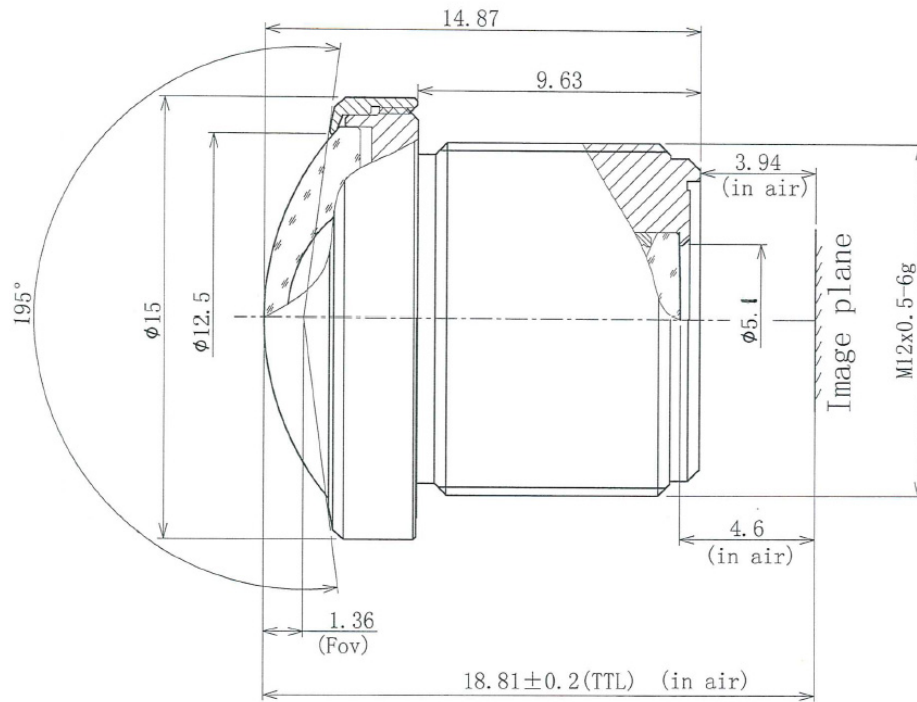


# BF5M2223S129



The Fisheye S-Mount lens Lensagon BF5M2223S129 is suitable for common sensors up to 5.00 megapixel with an image format of 1/2.9 inch.

## Technical Data

Mount	S-Mount
Sensor	1/2.9 inch
Focal Length	2.20 mm
Aperture	2.30
MOD	0.10 m
Back Focal	4.60 mm
Angle of View	D:195.00° H:155.00° V:81.00°
Megapixel	5.00 MP
IR Correction	Yes
IR Cut Filter	No
Image Circle	6.20 mm
Weight	4.80 g
Iris	fixed
Focus	fixed
Chief ray angle	15.90 °
Typ	Fisheye



**5** Megapixel