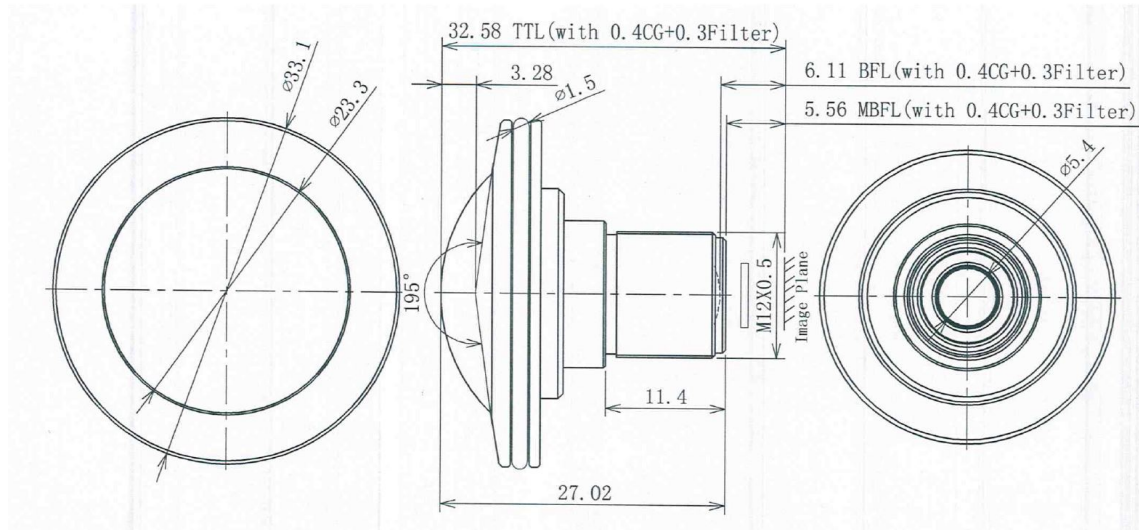


# BF5M2023S23C



The Fisheye S-Mount lens Lensagon BF5M2023S23C is suitable for common sensors up to 5.00 megapixel with an image format of 2/3 inch.

## Technical Data

Mount	S-Mount
Sensor	2/3 inch
Focal Length	2.00 mm
Aperture	2.30
MOD	0.10 m
Back Focal	6.11 mm
Angle of View	D:195.00° H:195.00° V:195.00°
Megapixel	5.00 MP
IR Cut Filter	Yes
Optical Distortion	-4.00 %
Image Circle	6.60 mm
Weight	18.85 g
Iris	fixed
Focus	fixed
Chief ray angle	14.00 °
Typ	Fisheye



**5** Megapixel