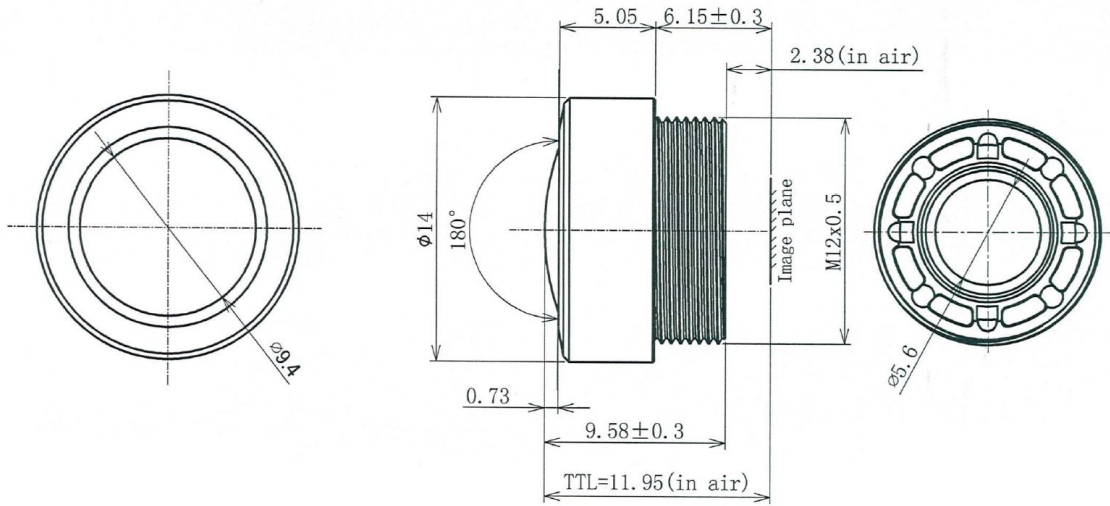


BF5M19622C



The S-Mount lens Lensagon BF5M19622C is suitable for common sensors up to 5 megapixel with an image format of 1/2.5 inch.

Technical Data

Mount	S-Mount
Sensor	1/2.5 inch
Focal Length	1.96 mm
Aperture	2.2
MOD	0.1 m
Back Focal	2.77 mm
Angle of View	D:180° H:180° V:130.5°
Megapixel	5 MP
IR Correction	No
IR Cut Filter	Yes
Image Circle	5.6 mm
Iris	fixed
Focus	fixed
Chief ray angle	15.3 °
Typ	Standard



5 Megapixel