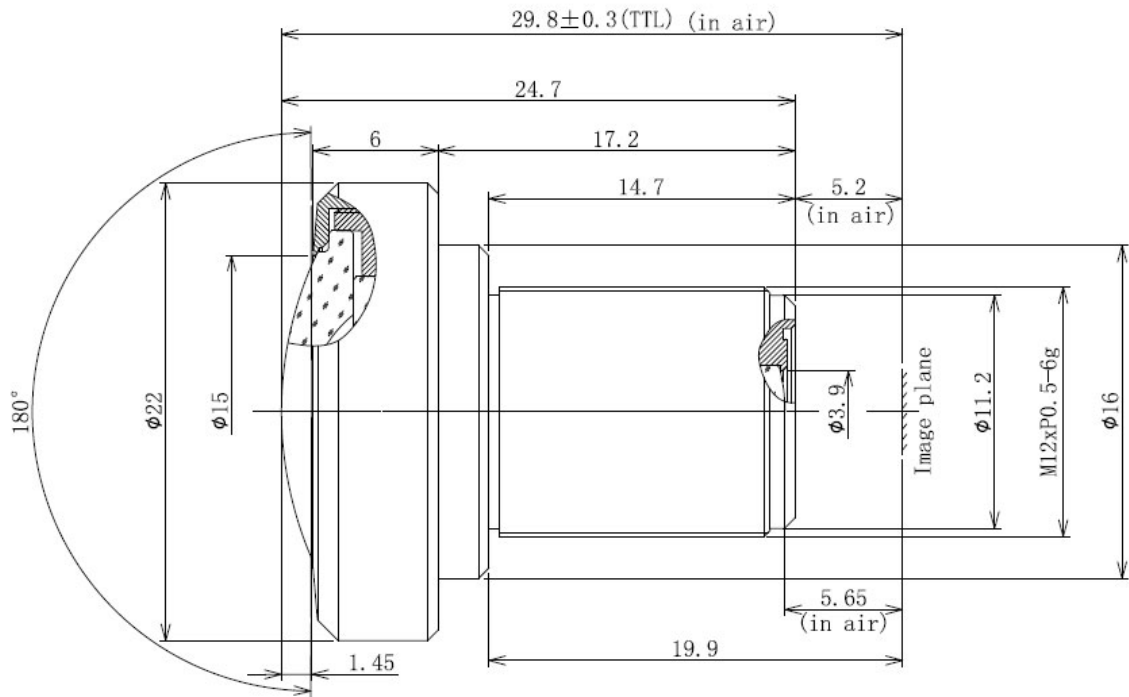


BF5M15828S125



The Fisheye S-Mount lens Lensagon BF5M15828S125 is suitable for common sensors up to 5.00 megapixel with an image format of 1/2.5 inch.

Technical Data

Mount	S-Mount
Sensor	1/2.5 inch
Focal Length	1.58 mm
Aperture	2.80
MOD	0.10 m
Back Focal	5.65 mm
Angle of View	D:180.00° H:180.00° V:180.00°
Megapixel	5.00 MP
IR Correction	Yes
IR Cut Filter	No
Image Circle	4.10 mm
Weight	11.30 g
Iris	fixed
Focus	fixed
Chief ray angle	9.60 °
Typ	Fisheye



5 Megapixel