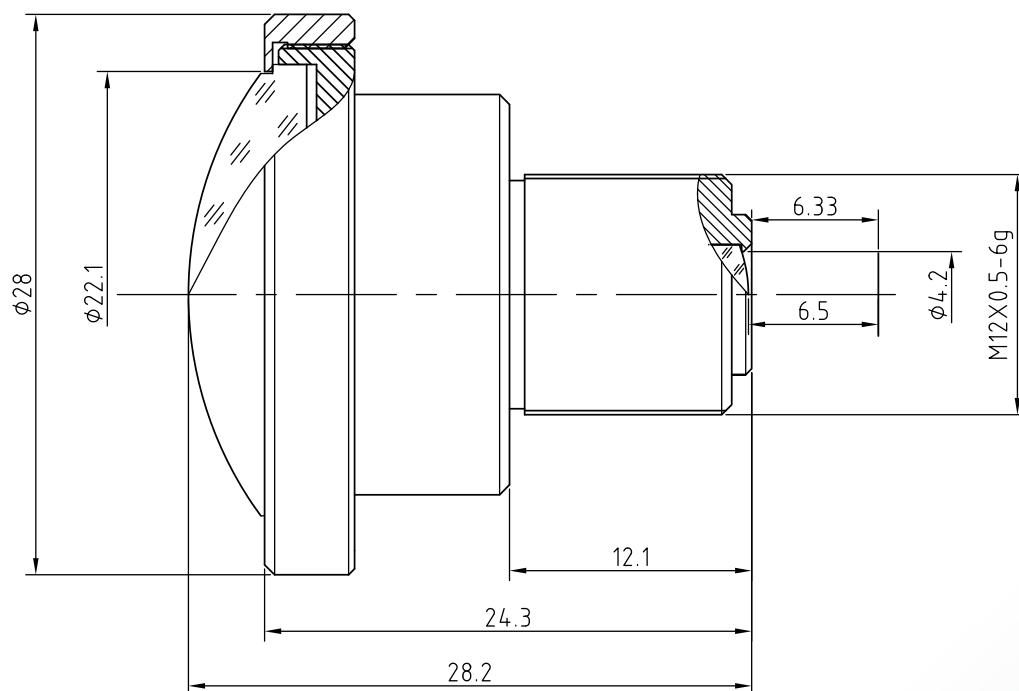


# Lensagon BF5M13720



The Fisheye S-Mount lens Lensagon BF5M13720 is suitable for common sensors up to 5 megapixel with an image format of 1/2.5 inch. It is characterized by a particularly high light intensity.

## Technical Data

Mount	S-Mount
Sensor	1/2.5 inch
Focal Length	1.37 mm
Aperture	2
MOD	0.15 m
Back Focal	6.11 mm
Angle of View	D:183° H:183° V:183°
Megapixel	5 MP
IR Correction	Yes
Image Circle	4.15 mm
Weight	21 g
Iris	fixed
Focus	fixed
Typ	Fisheye



Light Sensitive



5 Megapixel