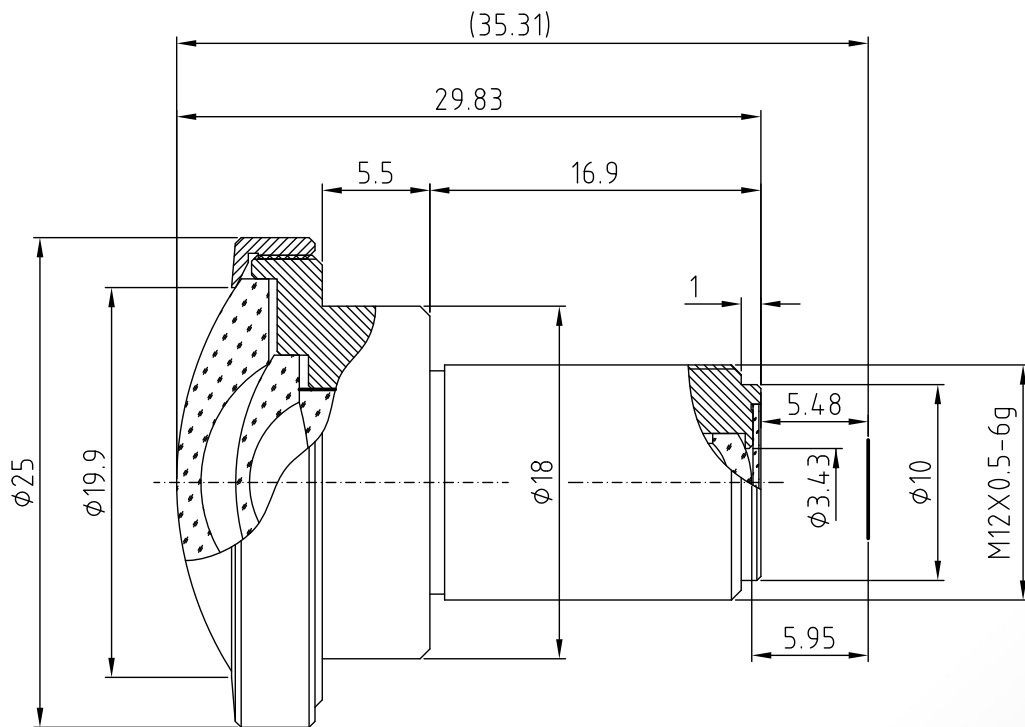


BF5M11920C



The Fisheye S-Mount lens Lensagon BF5M11920C is suitable for common sensors up to 5.00 megapixel with an image format of 1/3.2 inch. It is characterized by a particularly high light intensity.

Effective Aperture: 19.9mm (Front)

Effective Aperture: 3.43mm (Rear)

Technical Data

Mount	S-Mount
Sensor	1/3.2 inch
Focal Length	1.19 mm
Aperture	2.00
MOD	0.10 m
Back Focal	5.95 mm
Angle of View	D:180.00° H:180.00° V:180.00°
Megapixel	5.00 MP
IR Correction	No
IR Cut Filter	Yes
Image Circle	3.24 mm
Iris	fixed
Focus	fixed
Typ	Fisheye

Hinweis:



Light Sensitive



5 Megapixel

