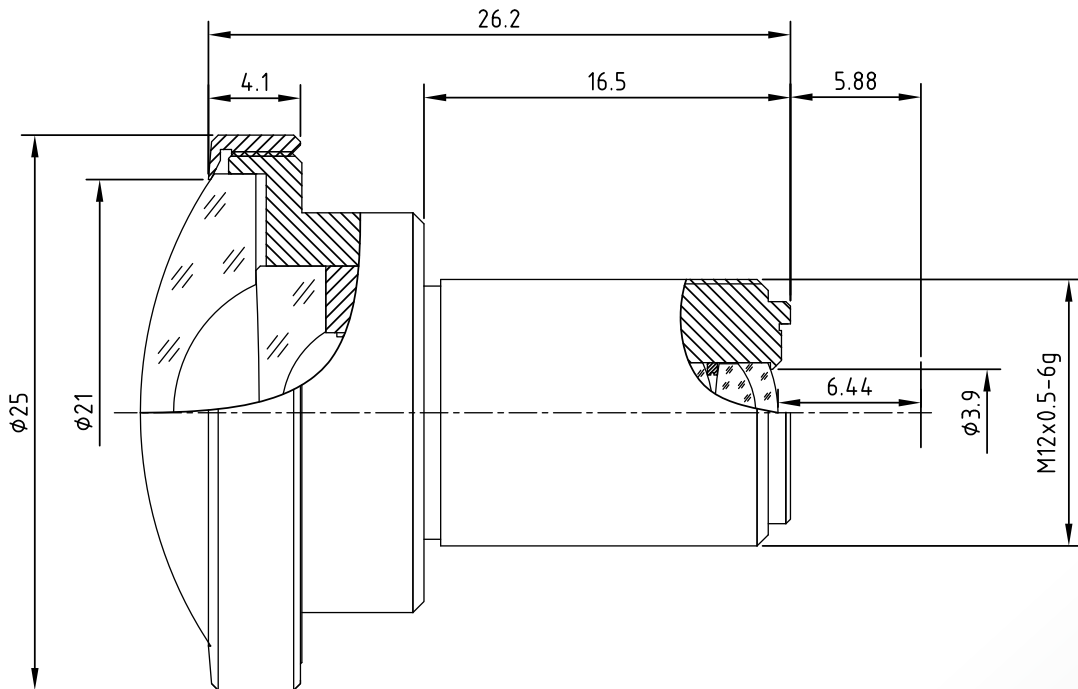


Lensagon BF5M11920



The Fisheye S-Mount lens Lensagon BF5M11920 is suitable for common sensors up to 5 megapixel with an image format of 1/3.2 inch. It is characterized by a particularly high light intensity.

Technical Data

Mount	S-Mount
Sensor	1/3.2 inch
Focal Length	1.19 mm
Aperture	2
MOD	0.2 m
Back Focal	6.44 mm
Angle of View	D:180° H:180° V:180°
Megapixel	5 MP
IR Correction	Yes
IR Cut Filter	No
Image Circle	3.24 mm
Weight	16.25 g
Iris	fixed
Focus	fixed
Typ	Fisheye



Light Sensitive



5 Megapixel