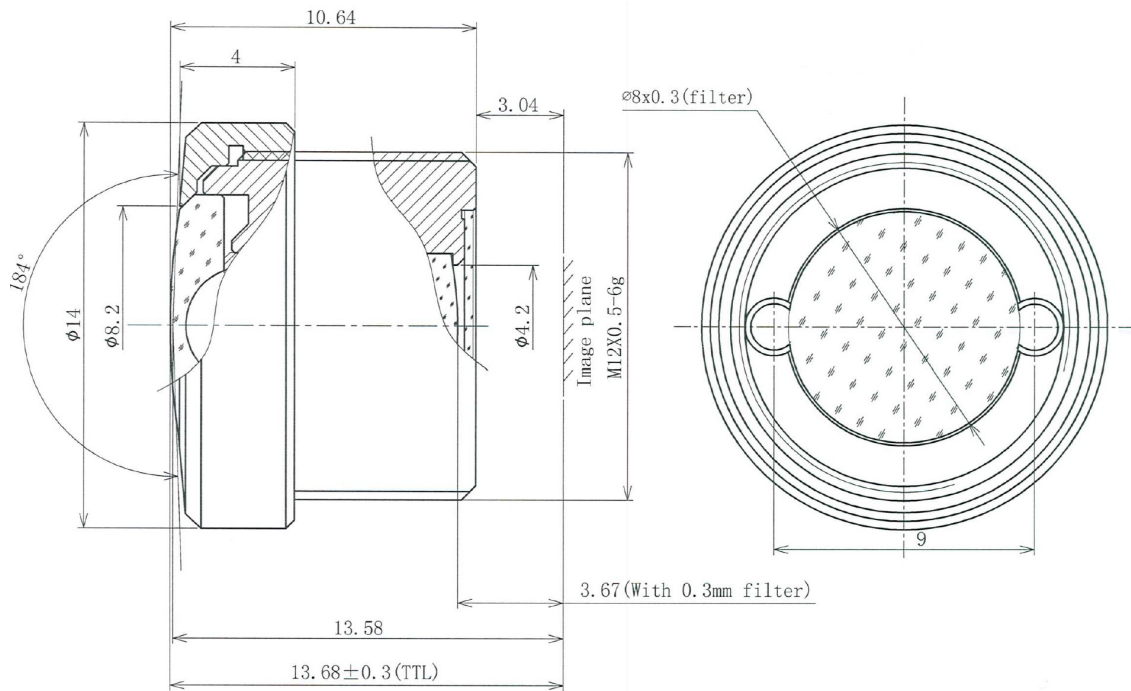


BF3M2122S13C



The Fisheye S-Mount lens Lensagon BF3M2122S13C is suitable for common sensors up to 3.00 megapixel with an image format of 1/3 inch.

Technical Data

| | |
|---------------|-------------------------------|
| Mount | S-Mount |
| Sensor | 1/3 inch |
| Focal Length | 2.10 mm |
| Aperture | 2.20 |
| MOD | 0.10 m |
| Back Focal | 3.57 mm |
| Angle of View | D:184.00° H:184.00° V:111.00° |
| Megapixel | 3.00 MP |
| IR Correction | No |
| IR Cut Filter | Yes |
| Image Circle | 4.80 mm |
| Iris | fixed |
| Focus | fixed |
| Typ | Fisheye |



3 Megapixel