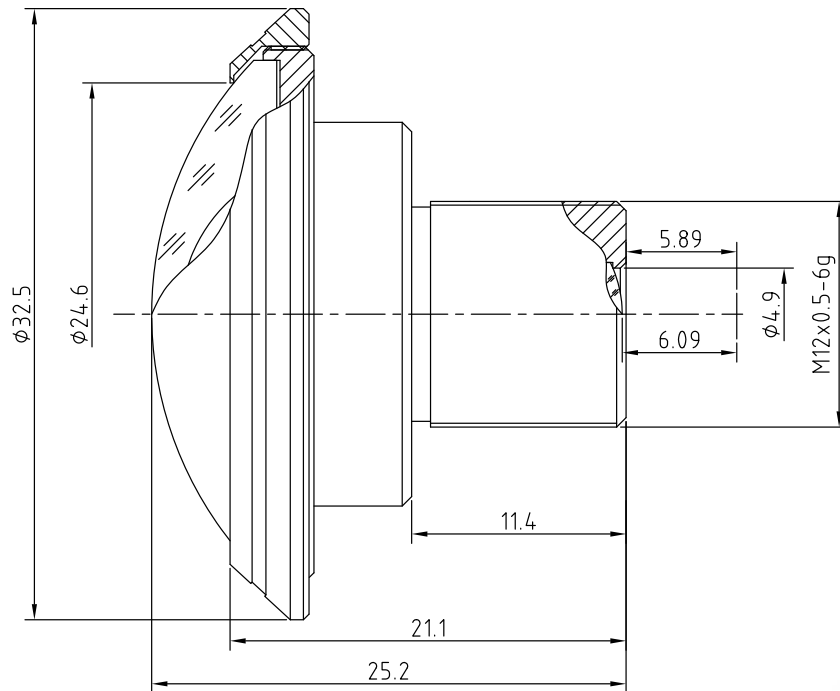


Lensagon BF2M2020



The Fisheye S-Mount lens Lensagon BF2M2020 is suitable for common sensors up to 2.00 megapixel with an image format of 1/3 inch. It is characterized by a particularly high light intensity. Abbildungsfunktion laut Haustest: flächentreue

Technical Data

Mount	S-Mount
Sensor	1/3 inch
Focal Length	2.00 mm
Aperture	2.00
MOD	0.08 m
Back Focal	6.09 mm
Angle of View	D:175.00° H:147.00° V:102.00°
Megapixel	2.00 MP
IR Correction	Yes
IR Cut Filter	No
Image Circle	6.00 mm
Weight	20.00 g
Iris	fixed
Focus	fixed
Typ	Fisheye

Hinweis:



Light Sensitive



2 Megapixel

